

Adjustable Square-Head Emergency Lights

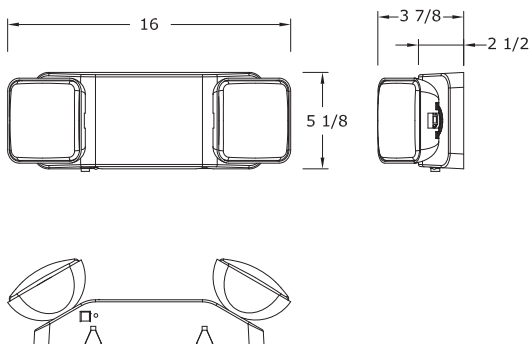
Pace's PAC2020 series model offers either an incandescent or MR16 fully adjustable lamp head, along with a contemporary design, quick installation and premium options, in a stylish and economical package.



Features

- Dual-voltage input 120V/277V
- Maintenance-free sealed lead-acid battery
- Injection-molded, high-impact, UV-stabilized, UL94 V-0 thermoplastic construction in white or black finish
- Optional Self-Diagnostic version monitors battery/charger failure, battery disconnect and lamp failure
- Universal J-box pattern knock-out
- Universal mounting plate with quick-connect feature
- Fully adjustable glare-free lamp head
- Incandescent version — two factory-installed 6V5.4W wedge-base lamps
- MR16 version — two factory-installed 6V5W MR16 lamps
- UL 924 listed for damp location
- CSA listed

Dimensions



Ordering Information

Series	Operation	Finish	Options	Example Cat #
PAC2020	S = Standard B = Remote Capable ¹	W = White B = Black	Blank = Incandescent Version ² MR = MR16 Version ³ SD = Self Diagnostic ¹	PAC2020SW

¹ Options may be combined

² In addition to the factory-installed heads, the RC option provides up to an additional 18 Watts remote capacity for 90 minutes

³ In addition to the factory-installed heads, the RC option provides up to an additional 10 Watts remote capacity for 90 minutes