

## Adjustable Square-Head Emergency Lights

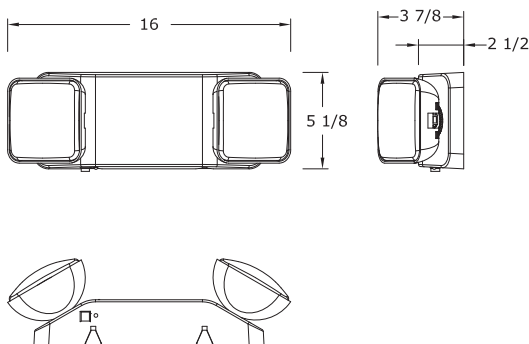
Pace's PAC2020 series model offers either an incandescent or MR16 fully adjustable lamp head, along with a contemporary design, quick installation and premium options, in a stylish and economical package.



### Features

- Dual-voltage input 120V/277V
- Maintenance-free sealed lead-acid battery
- Injection-molded, high-impact, UV-stabilized, UL94 V-0 thermoplastic construction in white or black finish
- Optional Self-Diagnostic version monitors battery/charger failure, battery disconnect and lamp failure
- Universal J-box pattern knock-out
- Universal mounting plate with quick-connect feature
- Fully adjustable glare-free lamp head
- Incandescent version — two factory-installed 6V5.4W wedge-base lamps
- MR16 version — two factory-installed 6V5W MR16 lamps
- Temp rating: 20°-30° damp
- UL 924 Listed for damp location
- CSA Listed

### Dimensions



### Ordering Information

Series	Operation	Finish	Options	Example Cat #
PAC2020	S = Standard B = Remote Capable <sup>1</sup>	W = White B = Black	Blank = Incandescent Version <sup>2</sup> MR = MR16 Version <sup>3</sup> SD = Self Diagnostic <sup>1</sup>	PAC2020SW

<sup>1</sup> Options may be combined

<sup>2</sup> In addition to the factory-installed heads, the RC option provides up to an additional 18 Watts remote capacity for 90 minutes

<sup>3</sup> In addition to the factory-installed heads, the RC option provides up to an additional 10 Watts remote capacity for 90 minutes