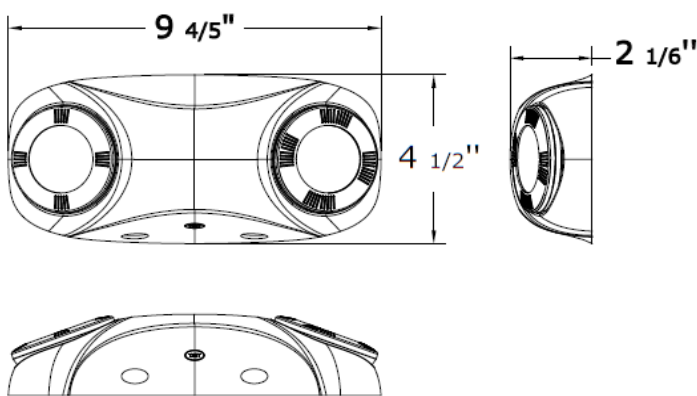


## Adjustable Thin- Style Emergency Lights

Pace's PAC0954 series model offers a fully adjustable ultra bright lamp head, up to 1,100 lumens per unit, along with ultra-compact, low profile design, quick installation and premium options, in a stylish and economical package.



### Features

- Universal voltage input 100-300V
  - Maintenance-free Lithium Ion, battery
  - Injection molded, high impact UV-Stabilized, UL 924 V-0 thermoplastic construction in white or black finish
  - Optional self-diagnostic version monitors battery/ charger failure, battery disconnect and lamp failure.
  - Optional remote capable version offers up to an additional 12.8 watts for 90 mins
  - Universal j-box pattern knock-out, universal mounting plate for quick connect features
  - Fully adjustable glare-free LED lamp head
  - Temp rating: 10°-40° damp
  - UL 924 Listed
  - CUL Listed
- Master Carton Quantity 16pc

### Lumen Output

- Total Lumens: 1182

### Ordering Information

| Series  | Finish               | Lamp head | Option   | Example Cat # |
|---------|----------------------|-----------|--|---------------|
| PAC0954 | w= white<br>B= black | LED       | H = High output<br>RC= Remote<br>SD= Self Diagnostic | PAC0954WH     |