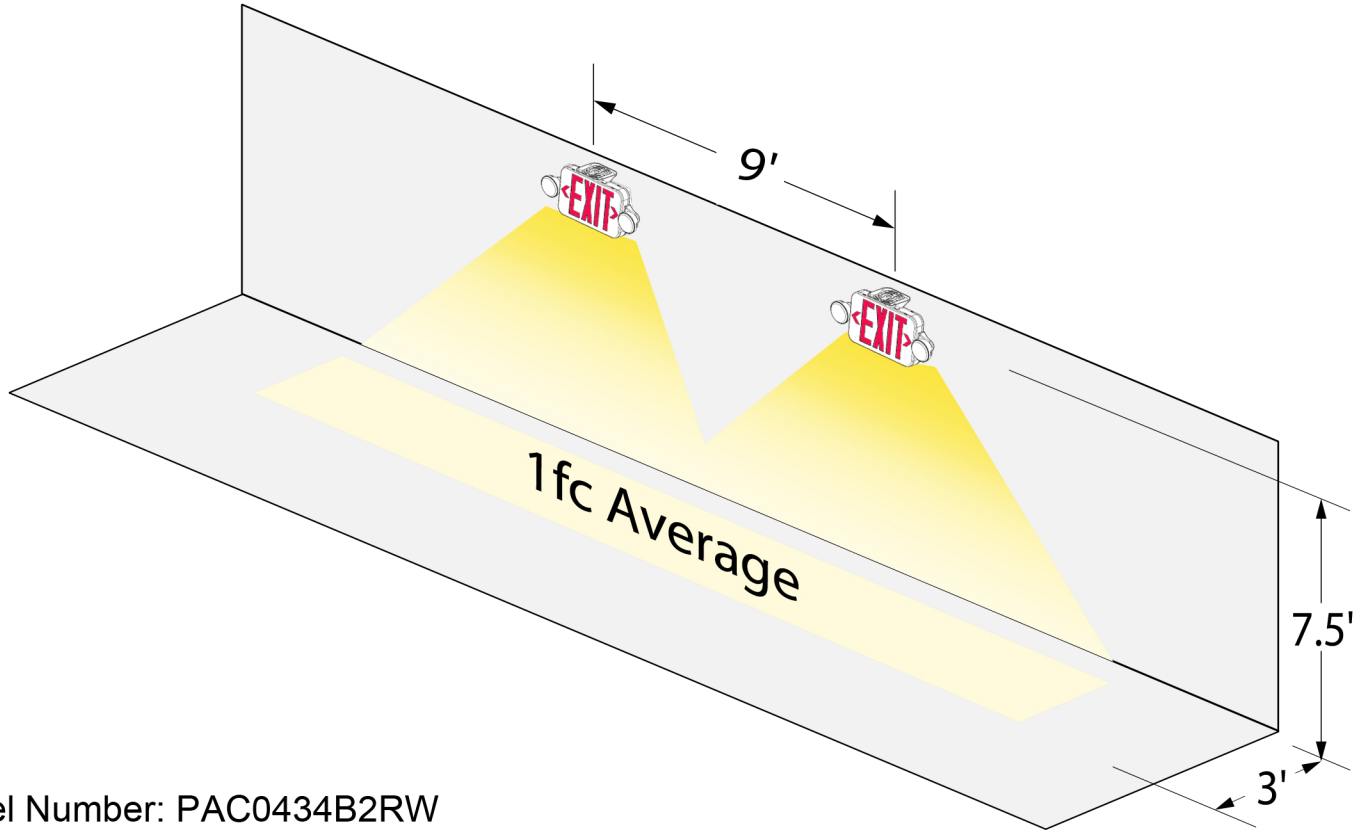
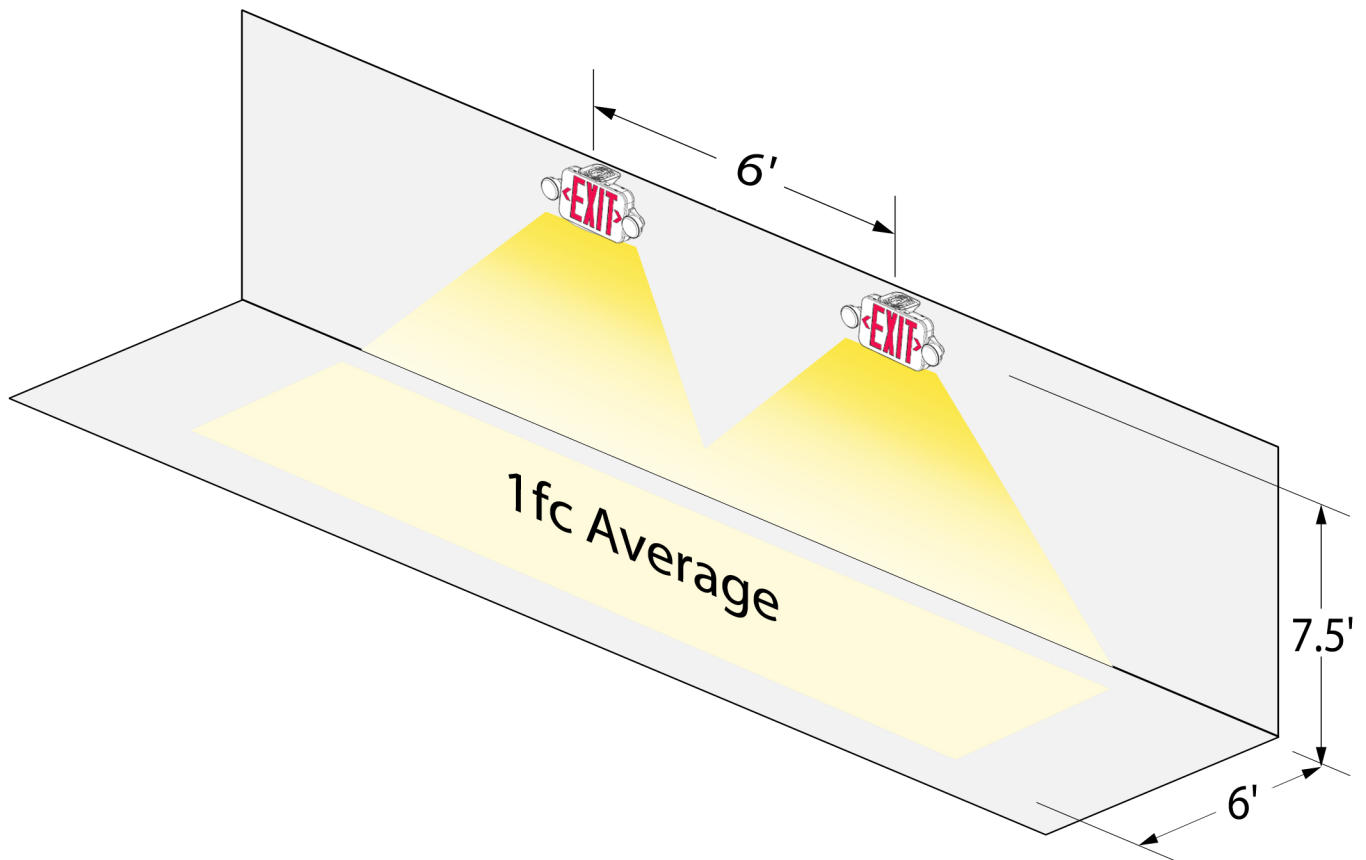


Model Number: PAC0434B2RW
Mounting Height: 7.5 feet
Corridor Width: 3 feet
Spacing to achieve 1fc average: 9 feet



Model Number: PAC0434B2RW
Mounting Height: 7.5 feet
Corridor Width: 6 feet
Spacing to achieve 1fc average: 6 feet



Luminaire Location Summary

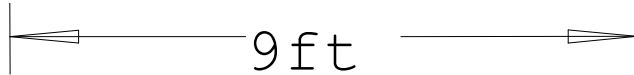
Coordinates In Feet

Luminaire Location Summary						
LumNo	Label	X	Y	Z	Orient	Tilt
1	ITL87484-GONIOPHOTOMETRY	65	27.5	7.5	205	17
2	ITL87484-GONIOPHOTOMETRY	66	27.5	7.5	335	17
3	ITL87484-GONIOPHOTOMETRY	74	27.5	7.5	205	17
4	ITL87484-GONIOPHOTOMETRY	75	27.5	7.5	335	17
5	ITL87484-GONIOPHOTOMETRY	56	27.5	7.5	205	17
6	ITL87484-GONIOPHOTOMETRY	57	27.5	7.5	335	17
7	ITL87484-GONIOPHOTOMETRY	83	27.5	7.5	205	17
8	ITL87484-GONIOPHOTOMETRY	84	27.5	7.5	335	17

Calculation Summary

Calculation Summary							
Label	CalcType	Units	Avg	Max	Min	Avg/Min	Max/Min
CalcPts_1	Illuminance	Fc	0.97	1.2	0.6	1.62	2.00

Viewpoint



Luminaire Location Summary

Coordinates In Feet

Luminaire Location Summary						
LumNo	Label	X	Y	Z	Orient	Tilt
1	ITL87484-GONIOPHOTOMETRY	66.5	27.5	7.5	245	22.5
2	ITL87484-GONIOPHOTOMETRY	67.5	27.5	7.5	295	22.5
3	ITL87484-GONIOPHOTOMETRY	72.5	27.5	7.5	245	22.5
4	ITL87484-GONIOPHOTOMETRY	73.5	27.5	7.5	295	22.5
5	ITL87484-GONIOPHOTOMETRY	60.5	27.5	7.5	245	22.5
6	ITL87484-GONIOPHOTOMETRY	61.5	27.5	7.5	295	22.5
7	ITL87484-GONIOPHOTOMETRY	78.5	27.5	7.5	245	22.5
8	ITL87484-GONIOPHOTOMETRY	79.5	27.5	7.5	295	22.5

Calculation Summary

Calculation Summary							
Label	CalcType	Units	Avg	Max	Min	Avg/Min	Max/Min
CalcPts_1	Illuminance	Fc	1.02	1.6	0.5	2.04	3.20

Viewpoint

