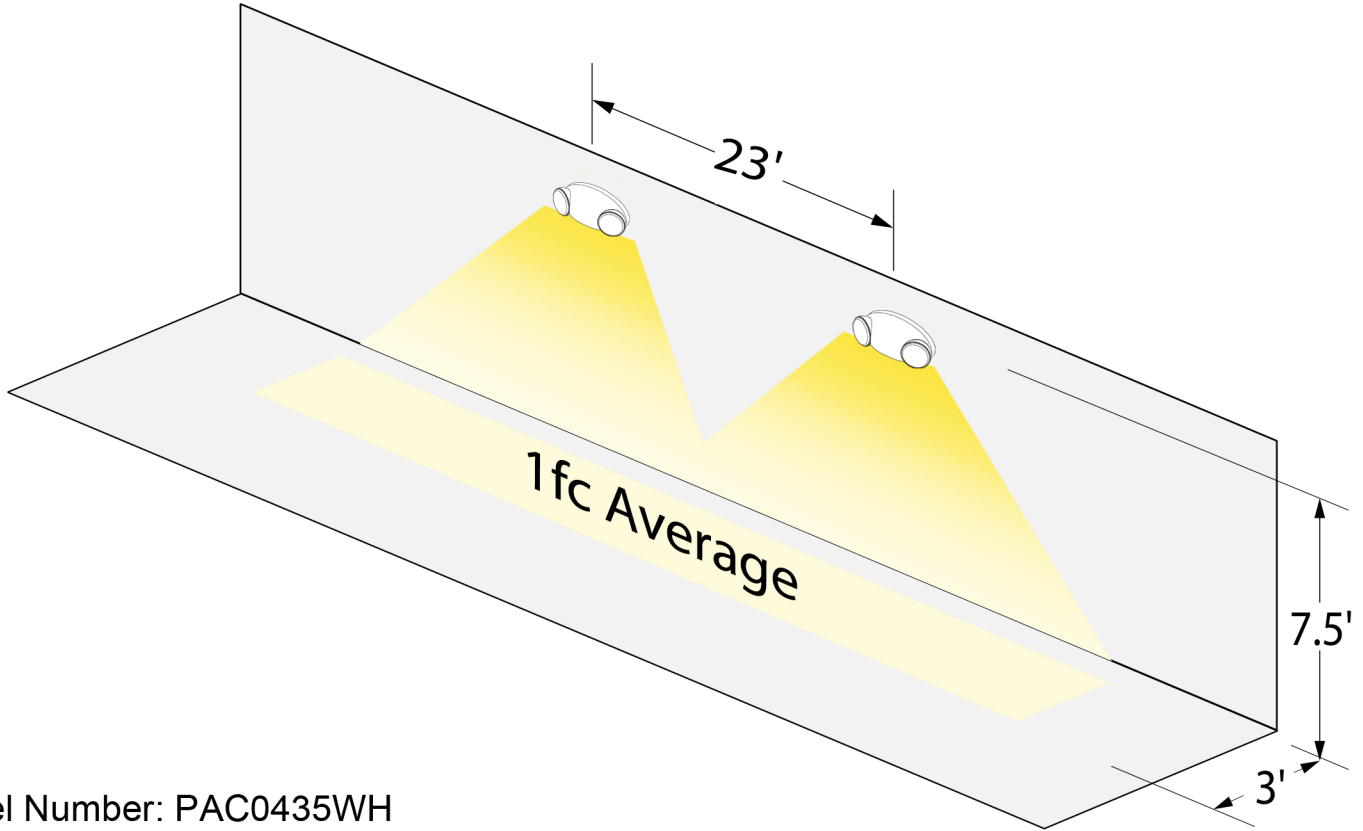
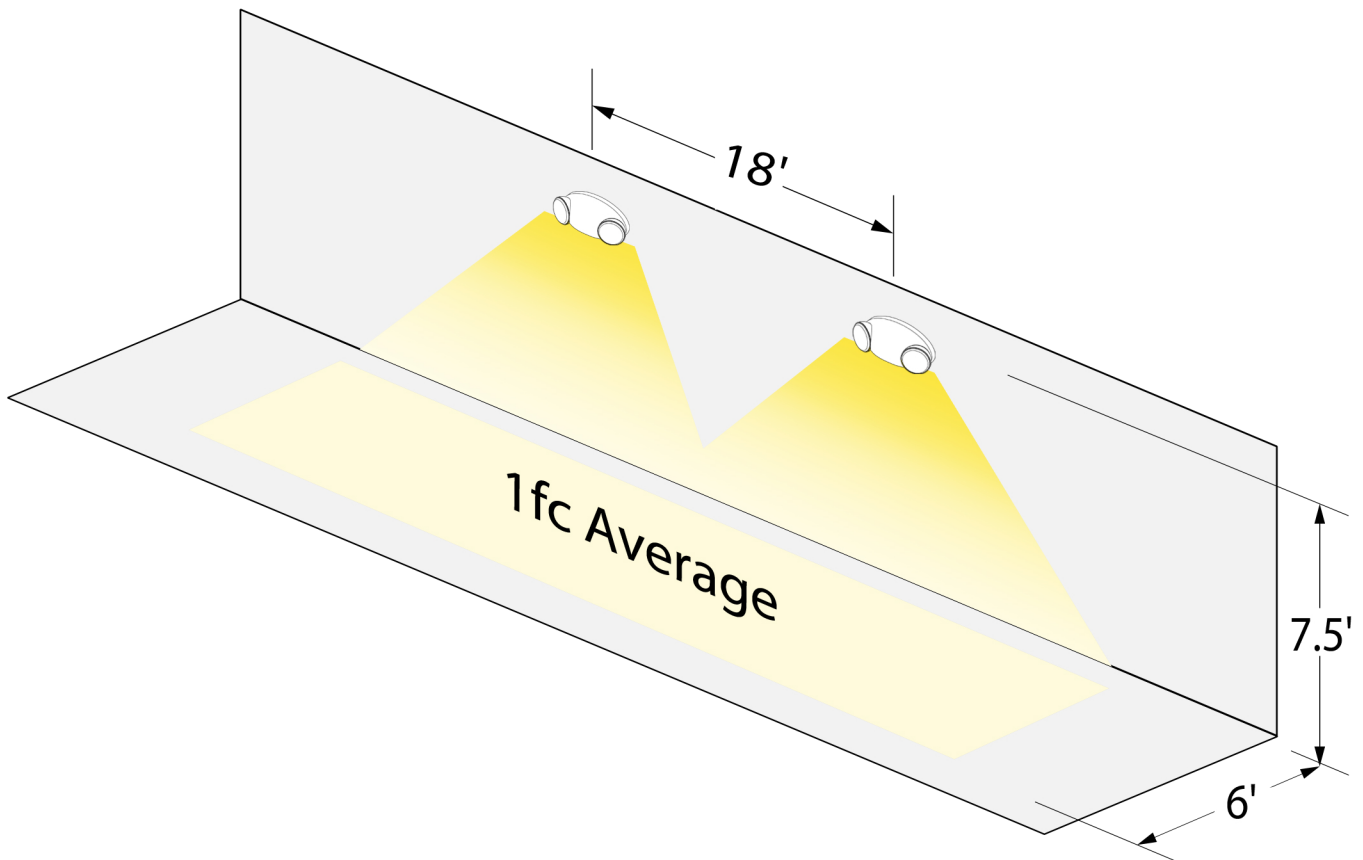


Model Number: PAC0435WH
Mounting Height: 7.5 feet
Corridor Width: 3 feet
Spacing to achieve 1fc average: 23 feet



Model Number: PAC0435WH
Mounting Height: 7.5 feet
Corridor Width: 6 feet
Spacing to achieve 1fc average: 18 feet



Luminaire Location Summary

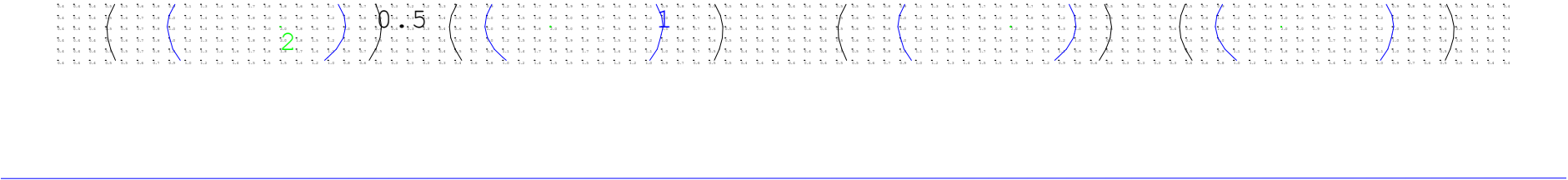
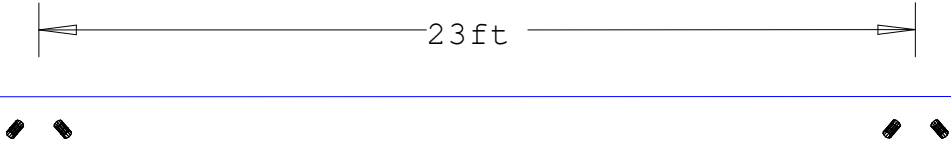
Coordinates In Feet

Luminaire Location Summary						
LumNo	Label	X	Y	Z	Orient	Tilt
1	ITL90572-GONIOPHOTOMETRY	59	27.5	7.5	350	35
2	ITL90572-GONIOPHOTOMETRY	81	27.5	7.5	190	35
3	ITL90572-GONIOPHOTOMETRY	82	27.5	7.5	350	35
4	ITL90572-GONIOPHOTOMETRY	35	27.5	7.5	190	35
5	ITL90572-GONIOPHOTOMETRY	36	27.5	7.5	350	35
6	ITL90572-GONIOPHOTOMETRY	104	27.5	7.5	190	35
7	ITL90572-GONIOPHOTOMETRY	105	27.5	7.5	350	35
8	ITL90572-GONIOPHOTOMETRY	58	27.5	7.5	190	35

Calculation Summary

Calculation Summary							
Label	CalcType	Units	Avg	Max	Min	Avg/Min	Max/Min
CalcPts_1	Illuminance	Fc	0.99	2.0	0.2	4.95	10.00

Viewpoint



Luminaire Location Summary

Coordinates In Feet

Luminaire Location Summary						
LumNo	Label	X	Y	Z	Orient	Tilt
1	ITL90572-GONIOPHOTOMETRY	61.5	27.5	7.5	335	35
2	ITL90572-GONIOPHOTOMETRY	78.5	27.5	7.5	205	35
3	ITL90572-GONIOPHOTOMETRY	79.5	27.5	7.5	335	35
4	ITL90572-GONIOPHOTOMETRY	42.5	27.5	7.5	205	35
5	ITL90572-GONIOPHOTOMETRY	43.5	27.5	7.5	335	35
6	ITL90572-GONIOPHOTOMETRY	96.5	27.5	7.5	205	35
7	ITL90572-GONIOPHOTOMETRY	97.5	27.5	7.5	335	35
8	ITL90572-GONIOPHOTOMETRY	60.5	27.5	7.5	205	35

Calculation Summary

Calculation Summary							
Label	CalcType	Units	Avg	Max	Min	Avg/Min	Max/Min
CalcPts_1	Illuminance	Fc	0.99	2.0	0.2	4.95	10.00

Viewpoint

