

Thermoplastic Adjustable Emergency Lights

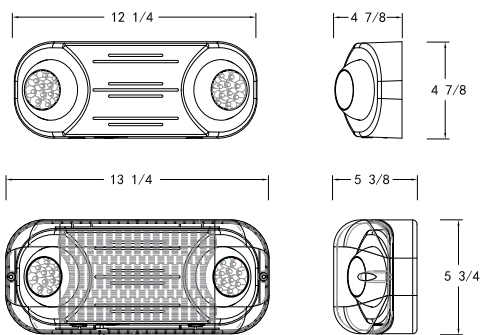
Pace's PAC0545 series model offers an LED fully adjustable lamp head, along with a contemporary design, quick installation and premium options, in a stylish and economical package. Now available with internal heater option for cold weather installations, lowering the operational temperature rating to -20 C- 50C Wet Locations.



Features

- Dual-voltage input I20V/277V
 - Maintenance-free nickel-cadmium battery
 - Injection-molded, high-impact, UV-stabilized, UL94 V-0 thermoplastic construction in white or black finish
 - Universal J-box pattern knock-out
 - Universal mounting plate with quick-connect feature
 - Fully adjustable glare-free lamp head
 - Two factory-installed LED lamp heads
 - Optional Wet-Location version – provided with a waterproof shield to be used in wet locations
 - Temp rating:-20°-50°
 - UL 924 Listed
- Master Carton Quantity 6pc

Dimensions



Lumen Output

- Total Lumens: 116

Ordering Information

Series	Finish	Lamp Head Style	Option	Example Cat #
PAC0545	W = White B = Black	L = LED	Blank = Standard W = Waterproof HTR= Heater	PAC0545WLW