

6" Thermoplastic Surface/Recess-Mount Edge-Lit Exit Signs

Pace's PAC0751 series offers a slim-profile, thermoplastic, LED edge-lit exit sign that is designed for long life and energy efficiency. Available in both surface-mount and recessed models.

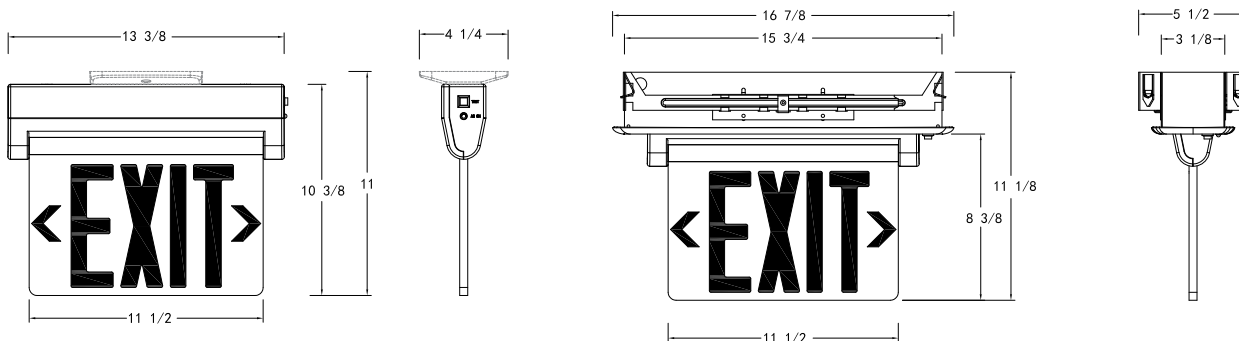


Features

- Dual-voltage input (20V/277V)
- Energy-saving LED
- Injection-molded, high-impact, UV-stabilized, UL94 V-0 thermoplastic construction
- Maintenance-free nickel-cadmium battery
- Galvanized steel adjustable bar hanger back box for recessed applications
- Pivoting design for installation on wall, ceiling, sloped ceiling or recessed mounting
- Graduated depth of molded letters provides uniform light distribution on graphics
- Mirror divider on double-face versions
- Field-applied chevron directional indicator
- Temp rating: 20°-30° ambient
- DOE and CEC Registered
- UL 924 Listed

Master Carton Quantity 4pc

Dimensions



Ordering Information

Series	Mounting Options	Operation	Number of Faces	Letter Color	Finish	Example Cat #
PAC0751	S = Surface Mount R = Recess Mount	Blank = AC Only B = Battery Backup	1 = Single Face 2 = Double Face	R = Red G = Green	W = White B = Black S = Silver	PAC0751SBIRW