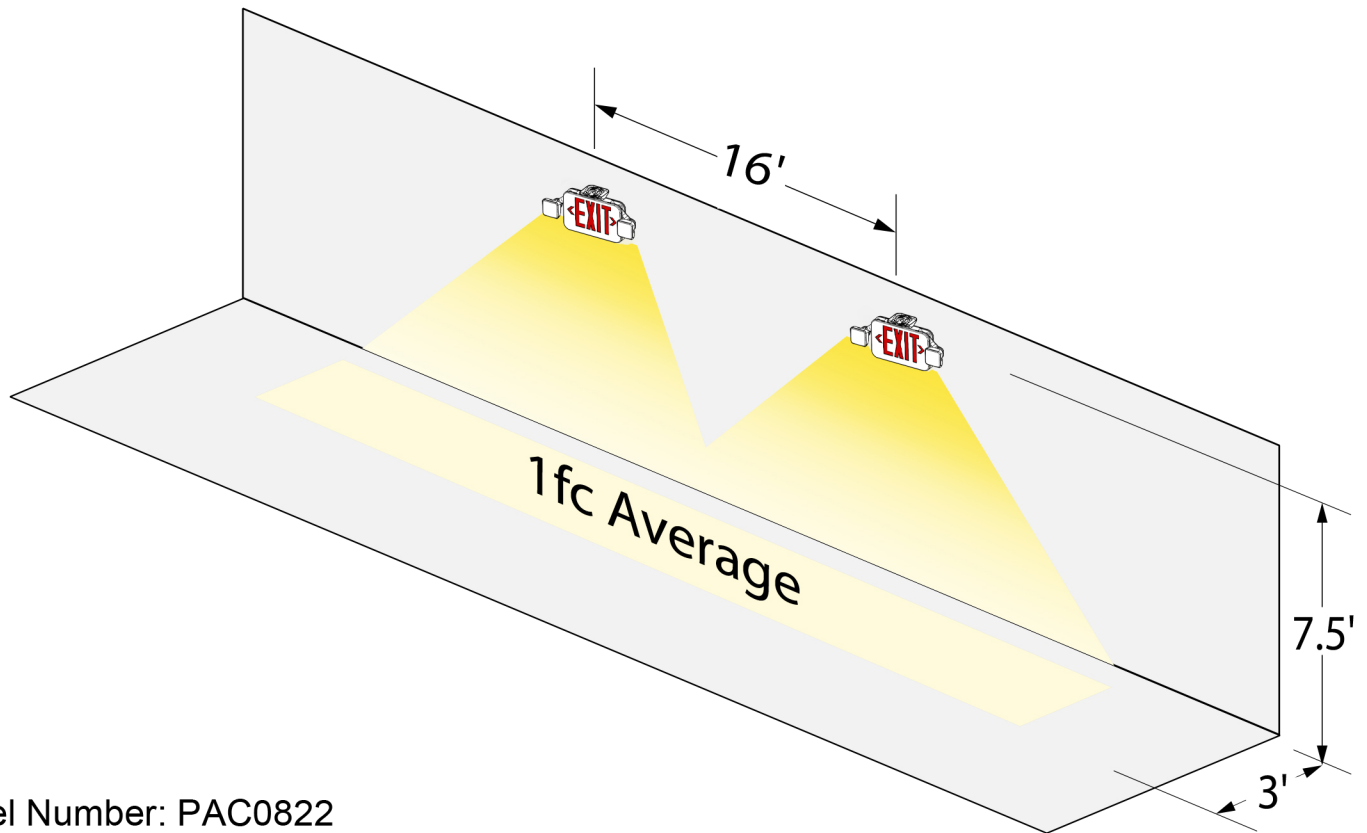


Model Number: PAC0822

Mounting Height: 7.5 feet

Corridor Width: 3 feet

Spacing to achieve 1fc average: 16 feet

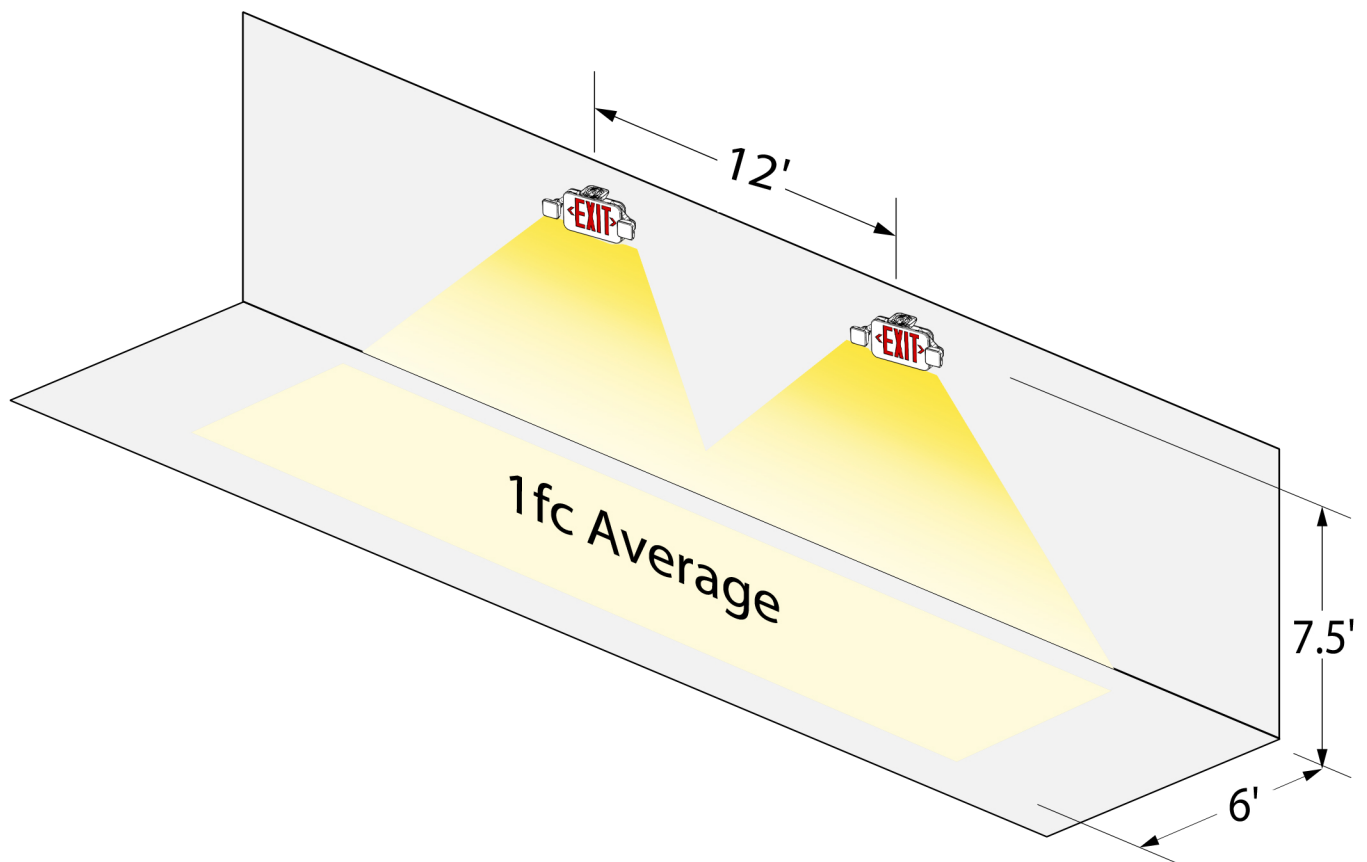


Model Number: PAC0822

Mounting Height: 7.5 feet

Corridor Width: 6 feet

Spacing to achieve 1fc average: 12 feet



Luminaire Location Summary

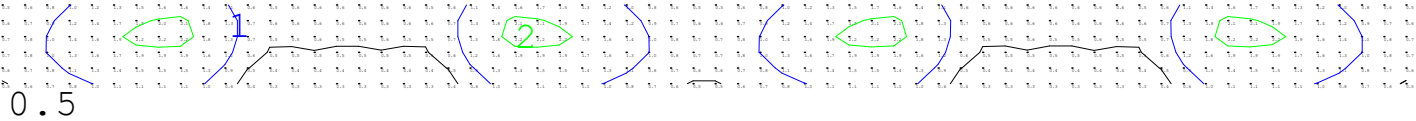
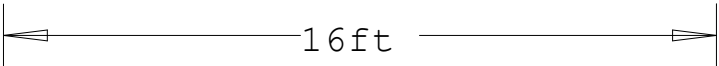
Coordinates In Feet

Luminaire Location Summary						
LumNo	Label	X	Y	Z	Orient	Tilt
1	ITL88649-GONIOPHOTOMETRY	61.5	27.5	7.5	190	30
2	ITL88649-GONIOPHOTOMETRY	62.5	27.5	7.5	350	30
3	ITL88649-GONIOPHOTOMETRY	77.5	27.5	7.5	190	30
4	ITL88649-GONIOPHOTOMETRY	78.5	27.5	7.5	350	30
5	ITL88649-GONIOPHOTOMETRY	45.5	27.5	7.5	190	30
6	ITL88649-GONIOPHOTOMETRY	46.5	27.5	7.5	350	30
7	ITL88649-GONIOPHOTOMETRY	93.5	27.5	7.5	190	30
8	ITL88649-GONIOPHOTOMETRY	94.5	27.5	7.5	350	30

Calculation Summary

Calculation Summary							
Label	CalcType	Units	Avg	Max	Min	Avg/Min	Max/Min
CalcPts_1	Illuminance	Fc	1.02	2.2	0.3	3.40	7.33

Viewpoint



Luminaire Location Summary

Coordinates In Feet

Luminaire Location Summary						
LumNo	Label	X	Y	Z	Orient	Tilt
1	ITL88649-GONIOPHOTOMETRY	63.5	27.5	7.5	230	27
2	ITL88649-GONIOPHOTOMETRY	64.5	27.5	7.5	310	27
3	ITL88649-GONIOPHOTOMETRY	75.5	27.5	7.5	230	27
4	ITL88649-GONIOPHOTOMETRY	76.5	27.5	7.5	310	27
5	ITL88649-GONIOPHOTOMETRY	51.5	27.5	7.5	230	27
6	ITL88649-GONIOPHOTOMETRY	52.5	27.5	7.5	310	27
7	ITL88649-GONIOPHOTOMETRY	87.5	27.5	7.5	230	27
8	ITL88649-GONIOPHOTOMETRY	88.5	27.5	7.5	310	27

Calculation Summary

Calculation Summary							
Label	CalcType	Units	Avg	Max	Min	Avg/Min	Max/Min
CalcPts_1	Illuminance	Fc	1.01	2.4	0.3	3.37	8.00

Viewpoint

