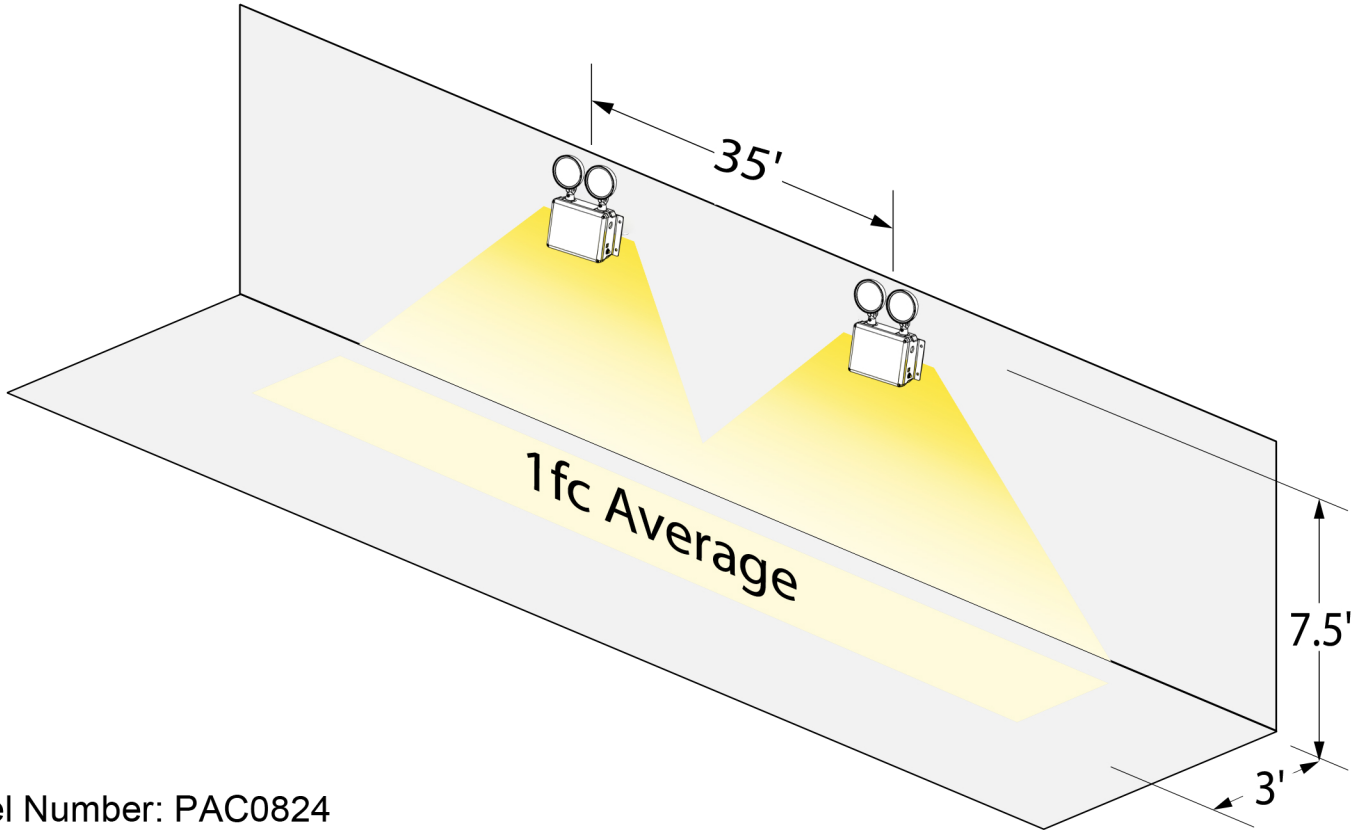
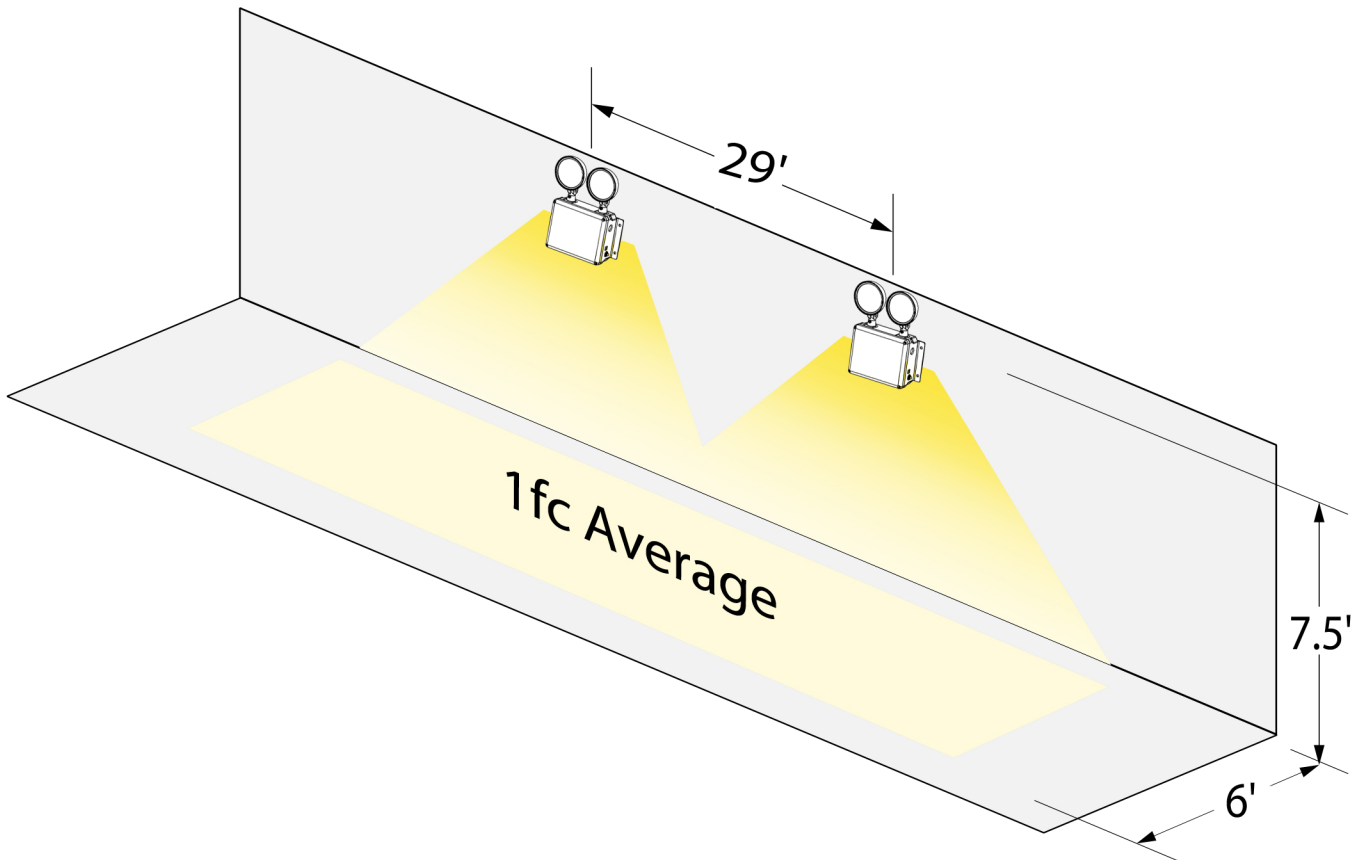


Model Number: PAC0824  
Mounting Height: 7.5 feet  
Corridor Width: 3 feet  
Spacing to achieve 1fc average: 35 feet



Model Number: PAC0824  
Mounting Height: 7.5 feet  
Corridor Width: 6 feet  
Spacing to achieve 1fc average: 29 feet



# Luminaire Location Summary

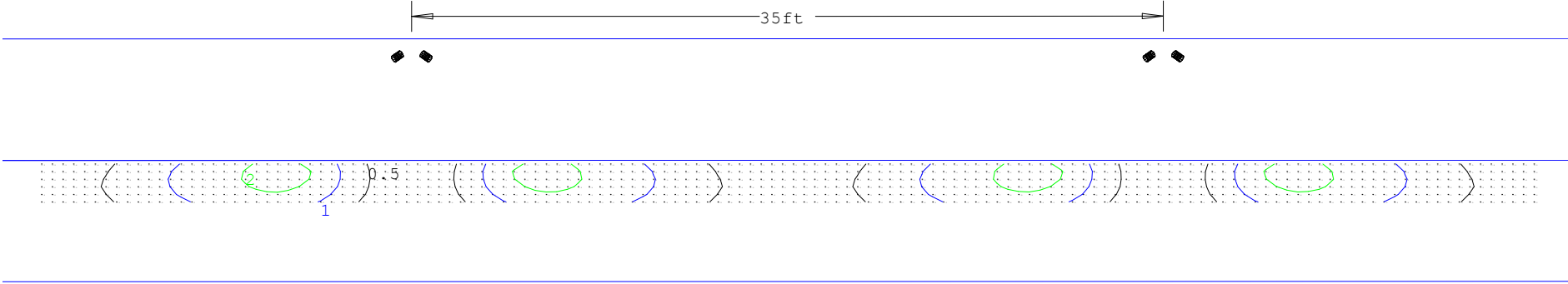
Coordinates In Feet

Luminaire Location Summary						
LumNo	Label	X	Y	Z	Orient	Tilt
1	ITL88650-GONIOPHOTOMETRY	52	27.5	7.5	185	47.5
2	ITL88650-GONIOPHOTOMETRY	53	27.5	7.5	355	47.5
3	ITL88650-GONIOPHOTOMETRY	87	27.5	7.5	185	47.5
4	ITL88650-GONIOPHOTOMETRY	88	27.5	7.5	355	47.5
5	ITL88650-GONIOPHOTOMETRY	17	27.5	7.5	185	47.5
6	ITL88650-GONIOPHOTOMETRY	18	27.5	7.5	355	47.5
7	ITL88650-GONIOPHOTOMETRY	122	27.5	7.5	185	47.5
8	ITL88650-GONIOPHOTOMETRY	123	27.5	7.5	355	47.5

# Calculation Summary

Calculation Summary							
Label	CalcType	Units	Avg	Max	Min	Avg/Min	Max/Min
CalcPts_1	Illuminance	Fc	1.00	2.5	0.2	5.00	12.50

# Viewpoint



# Luminaire Location Summary

Coordinates In Feet

Luminaire Location Summary						
LumNo	Label	X	Y	Z	Orient	Tilt
1	ITL88650-GONIOPHOTOMETRY	55	27.5	7.5	200	40
2	ITL88650-GONIOPHOTOMETRY	56	27.5	7.5	340	40
3	ITL88650-GONIOPHOTOMETRY	84	27.5	7.5	200	40
4	ITL88650-GONIOPHOTOMETRY	85	27.5	7.5	340	40
5	ITL88650-GONIOPHOTOMETRY	26	27.5	7.5	200	40
6	ITL88650-GONIOPHOTOMETRY	27	27.5	7.5	340	40
7	ITL88650-GONIOPHOTOMETRY	113	27.5	7.5	200	40
8	ITL88650-GONIOPHOTOMETRY	114	27.5	7.5	340	40

# Calculation Summary

Calculation Summary							
Label	CalcType	Units	Avg	Max	Min	Avg/Min	Max/Min
CalcPts_1	Illuminance	Fc	0.99	3.3	0.2	4.95	16.50

# Viewpoint

