

Chicago Code Steel LED Exit Signs

Pace's PAC0836 series models are designed for Chicago applications where a steel housing is required. The unit is designed for both initial and retrofit installations and offers high-power efficiency and uniform illumination, which are ideal for stores, offices, hospitals and school corridors.



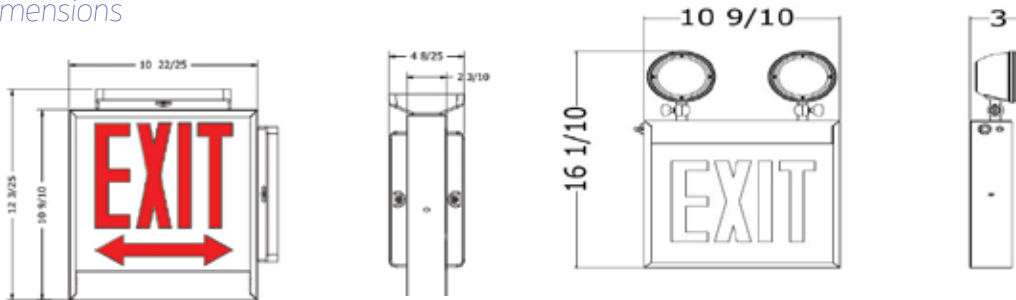
Features

- Universal voltage ranging between 100-300VAC
 - Maintenance-free nickel-cadmium battery
 - 20-gauge steel housing with white finish
 - Red silk-screened letter on white phosphorescent
 - Heat-tempered, impact-resistant glass lens
 - Steel canopy allows ceiling or end mounting
 - Universal pattern knock-out on rear for direct mounting to junction box
 - Two fully adjustable metal lamp head : 3.6VDC 1.84W(2)
 - Temp rating: 10°-40° damp
 - DOE Registered
 - UL 924 Listed for damp location and City of Chicago approved
- Master Carton Quantity 6pc

Lumen Output

- Total Lumens: 366

Dimensions



Ordering Information

Series	Options	Number of Faces	Operation	Example Cat #
PAC0836	Blank= Standard Exit C= Combo Exit	1 = Single Face 2 = Double Face	Blank = AC Only B = Battery Backup	PAC0836B