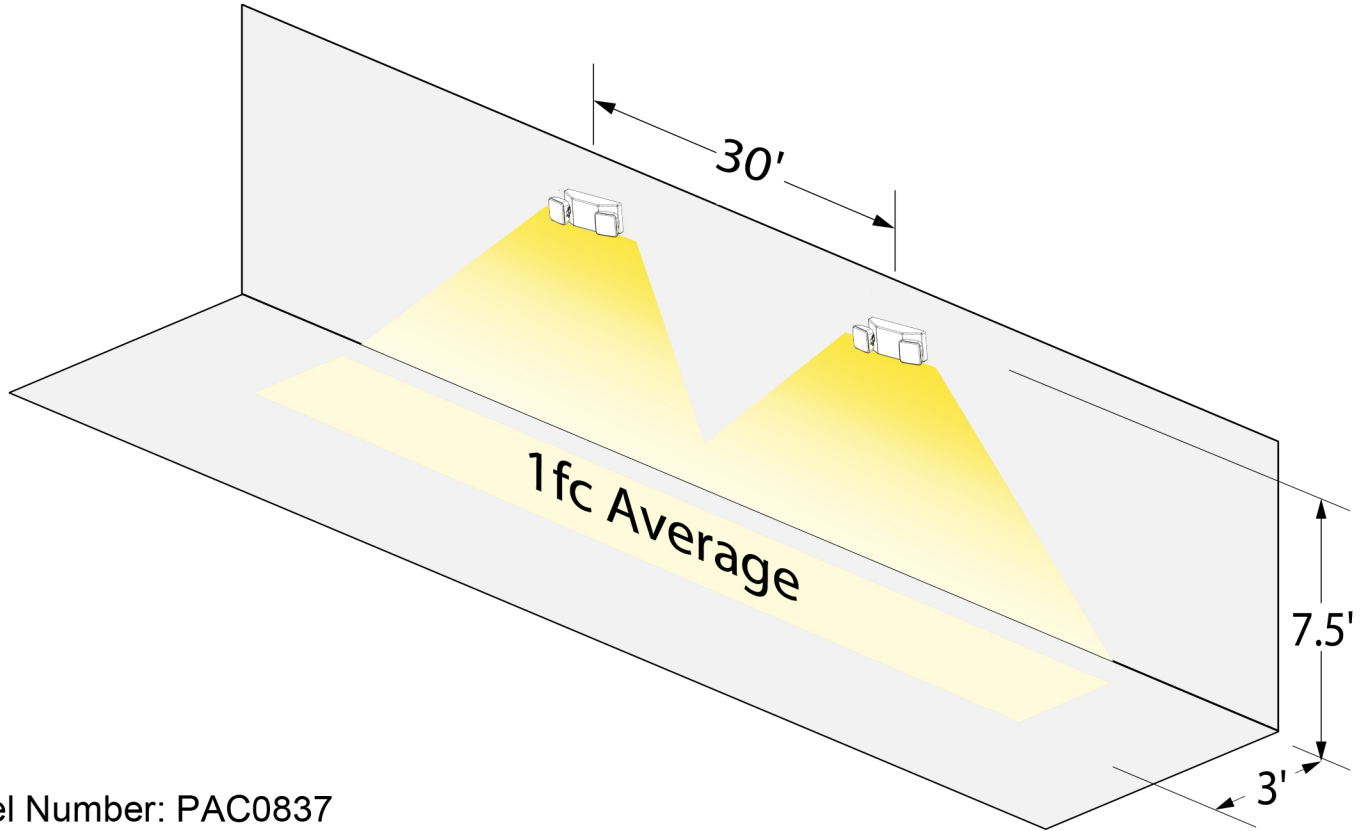
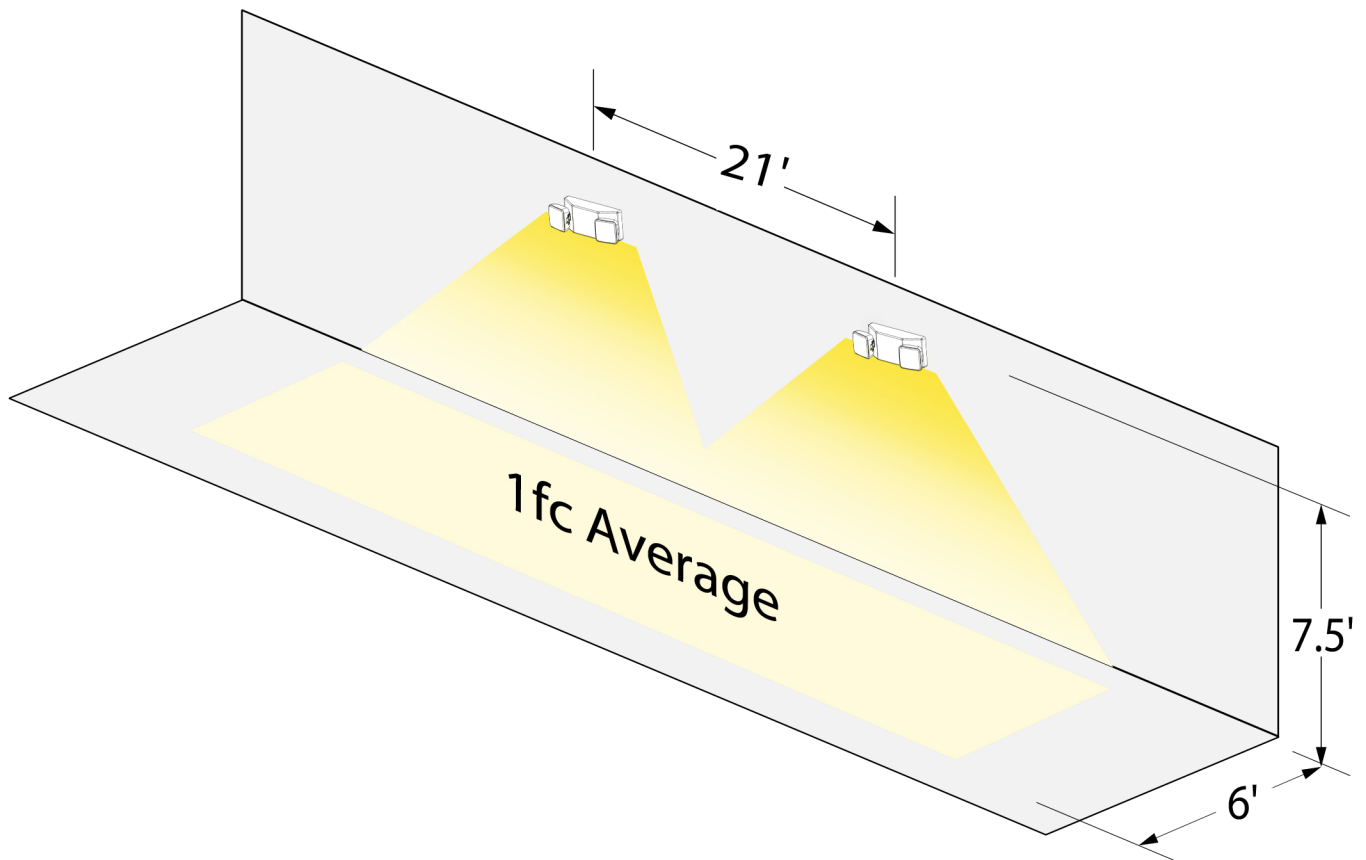


Model Number: PAC0837
Mounting Height: 7.5 feet
Corridor Width: 3 feet
Spacing to achieve 1fc average: 30 feet



Model Number: PAC0837
Mounting Height: 7.5 feet
Corridor Width: 6 feet
Spacing to achieve 1fc average: 21 feet



Luminaire Location Summary

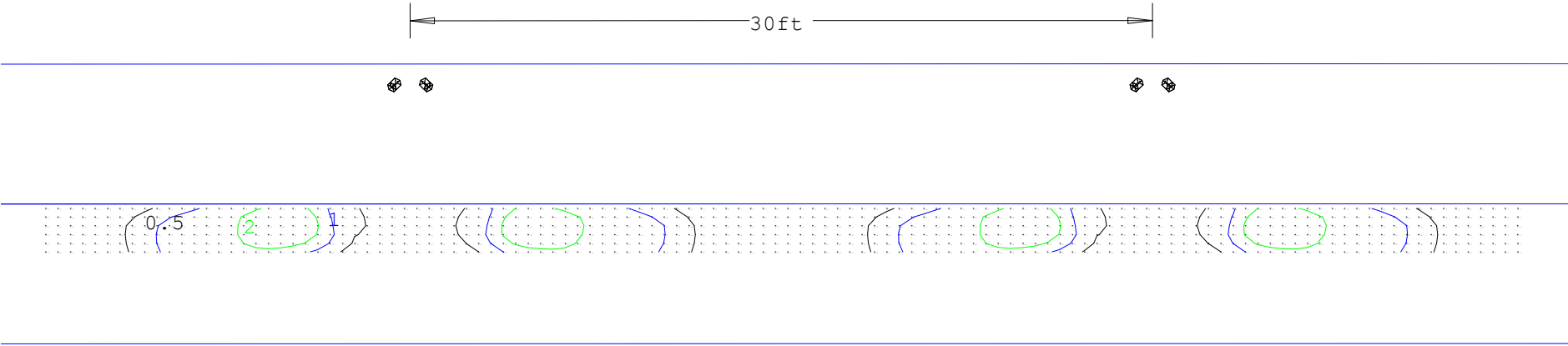
Coordinates In Feet

Luminaire Location Summary						
LumNo	Label	X	Y	Z	Orient	Tilt
1	ITL90141-GONIOPHOTOMETRY	55.5	27.5	7.5	350	40
2	ITL90141-GONIOPHOTOMETRY	84.5	27.5	7.5	190	40
3	ITL90141-GONIOPHOTOMETRY	85.5	27.5	7.5	350	40
4	ITL90141-GONIOPHOTOMETRY	24.5	27.5	7.5	190	40
5	ITL90141-GONIOPHOTOMETRY	25.5	27.5	7.5	350	40
6	ITL90141-GONIOPHOTOMETRY	114.5	27.5	7.5	190	40
7	ITL90141-GONIOPHOTOMETRY	115.5	27.5	7.5	350	40
8	ITL90141-GONIOPHOTOMETRY	54.5	27.5	7.5	190	40

Calculation Summary

Calculation Summary							
Label	CalcType	Units	Avg	Max	Min	Avg/Min	Max/Min
CalcPts_1	Illuminance	Fc	1.03	2.9	0.1	10.30	29.00

Viewpoint



Luminaire Location Summary

Coordinates In Feet

Luminaire Location Summary						
LumNo	Label	X	Y	Z	Orient	Tilt
1	ITL90141-GONIOPHOTOMETRY	60	27.5	7.5	340	40
2	ITL90141-GONIOPHOTOMETRY	80	27.5	7.5	200	40
3	ITL90141-GONIOPHOTOMETRY	81	27.5	7.5	340	40
4	ITL90141-GONIOPHOTOMETRY	38	27.5	7.5	200	40
5	ITL90141-GONIOPHOTOMETRY	39	27.5	7.5	340	40
6	ITL90141-GONIOPHOTOMETRY	101	27.5	7.5	200	40
7	ITL90141-GONIOPHOTOMETRY	102	27.5	7.5	340	40
8	ITL90141-GONIOPHOTOMETRY	59	27.5	7.5	200	40

Calculation Summary

Calculation Summary							
Label	CalcType	Units	Avg	Max	Min	Avg/Min	Max/Min
CalcPts_1	Illuminance	Fc	1.00	2.9	0.1	10.00	29.00

Viewpoint

