

## Micro Adjustable LED Square-Head Emergency Lights

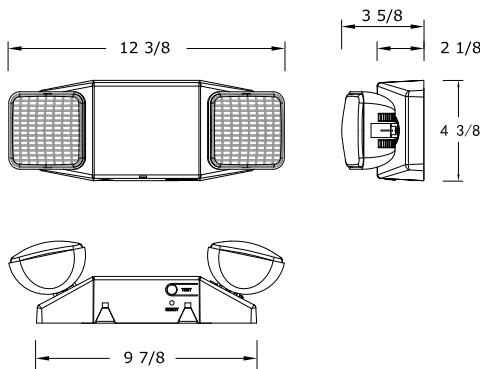
Pace's PAC0837 series model offers a fully adjustable LED lamp head, along with a contemporary design,



### Features

- Dual-voltage input 120V/277V
  - Maintenance-free nickel-cadmium battery
  - Energy-saving LED
  - Optional Self-Diagnostic version monitors battery/charger failure, battery disconnect and lamp failure
  - Optional Remote-Capable version offers up to an additional 2.3 Watts for 90 minutes
  - Injection-molded, high-impact, UV-stabilized, UL94 V-0 thermoplastic construction in white or black finish
  - Universal J-box pattern knock-out
  - Universal mounting plate with quick-connect feature
  - Fully adjustable glare-free lamp heads
  - Two factory-installed LED lampheads
  - Temp rating: 10°-40° damp
  - CEC Registered—See ordering information for exceptions
  - UL 924 Listed for damp location
  - CUL Listed
- Master Carton Quantity 9pc

### Dimensions



### Lumen Output

- Total Lumens: 161

### Ordering Information

<sup>1</sup> Options may be combined

<sup>2</sup> Not CEC Registered

Series	Finish	Options	Example Cat #
PAC0837	W = White B = Black	RC = Remote Capable <sup>1</sup> SD = Self Diagnostic <sup>1, 2</sup>	PAC0837WRCS