

## 6" Metal Surface/Recess-Mount Edge-Lit Exit Signs

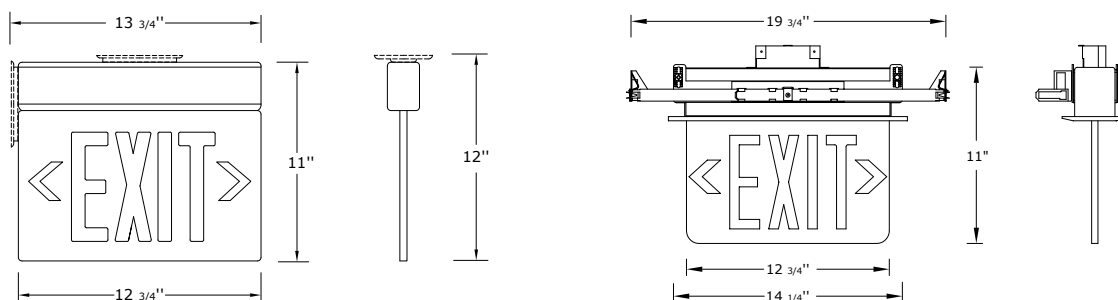
Pace's PAC0838 series model offers specification-grade aesthetics with in-field installation flexibility, which are ideal for architectural applications.

### Features

- Dual-voltage input I20V/277V
- Energy-saving LED
- High-polish, injection-molded virgin acrylic panel, ultrasonically welded to eliminate visible hardware
- Maintenance-free nickel-cadmium battery
- Graduated depth of molded letters provides uniform light distribution on graphics
- Mirror divider on double-face versions
- Field-applied chevron directional indicator
- Temp rating: 20°-30° ambient
- DOE and CEC Registered
- UL 924 Listed
- CUL Listed
- Master Carton Quantity 4pc



### Dimensions



### Ordering Information

Series	Mounting Options	Operation	Number of Faces	Letter Color	Finish	Options	Example Cat #
PAC0838	S = Surface Mount R = Recess Mount	Blank = AC Only B = Battery Backup	1 = Single Face 2 = Double Face	R = Red G = Green	W = White B = Black A = Aluminum	Blank = Regular Version SD = Self Diagnostic	PAC0838SB2RASD