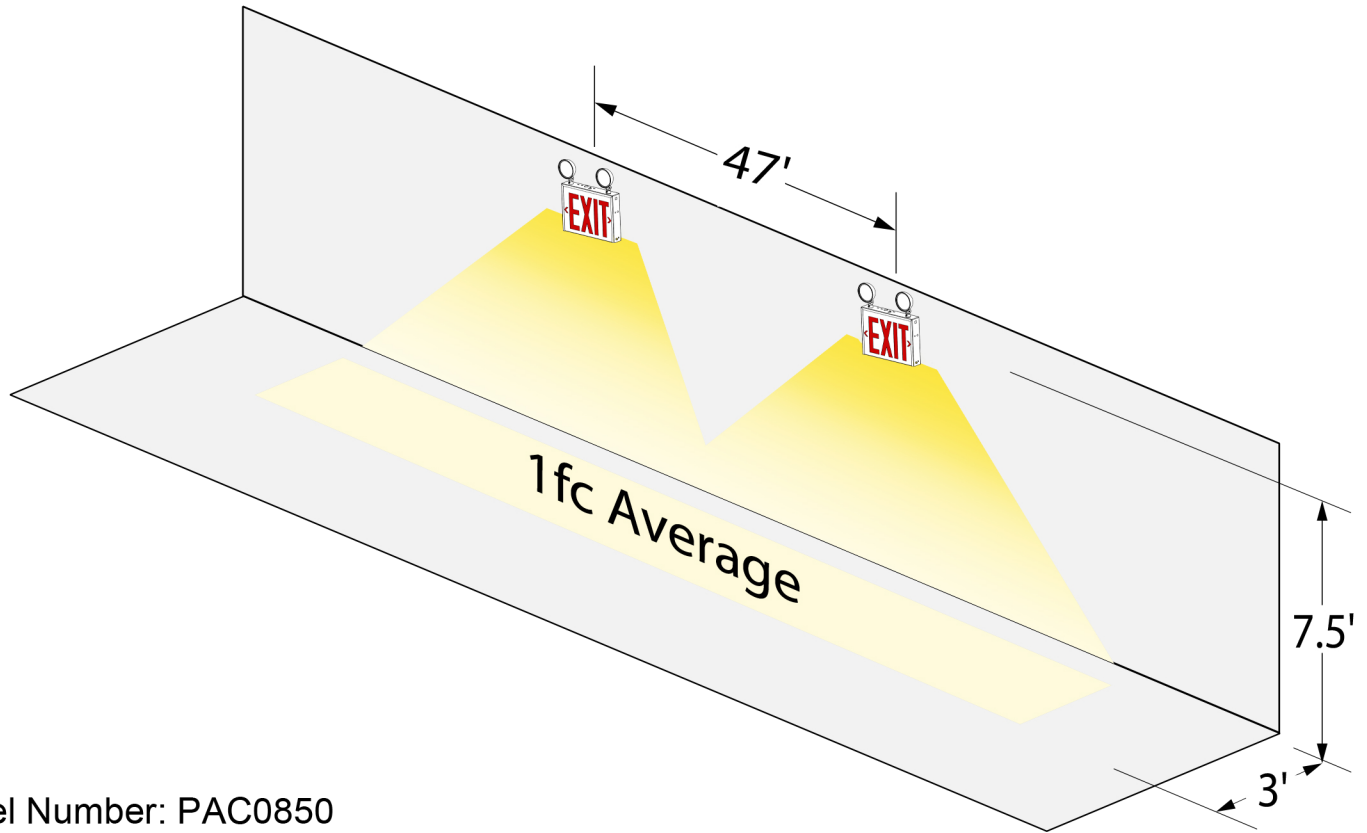


Model Number: PAC0850

Mounting Height: 7.5 feet

Corridor Width: 3 feet

Spacing to achieve 1fc average: 47 feet

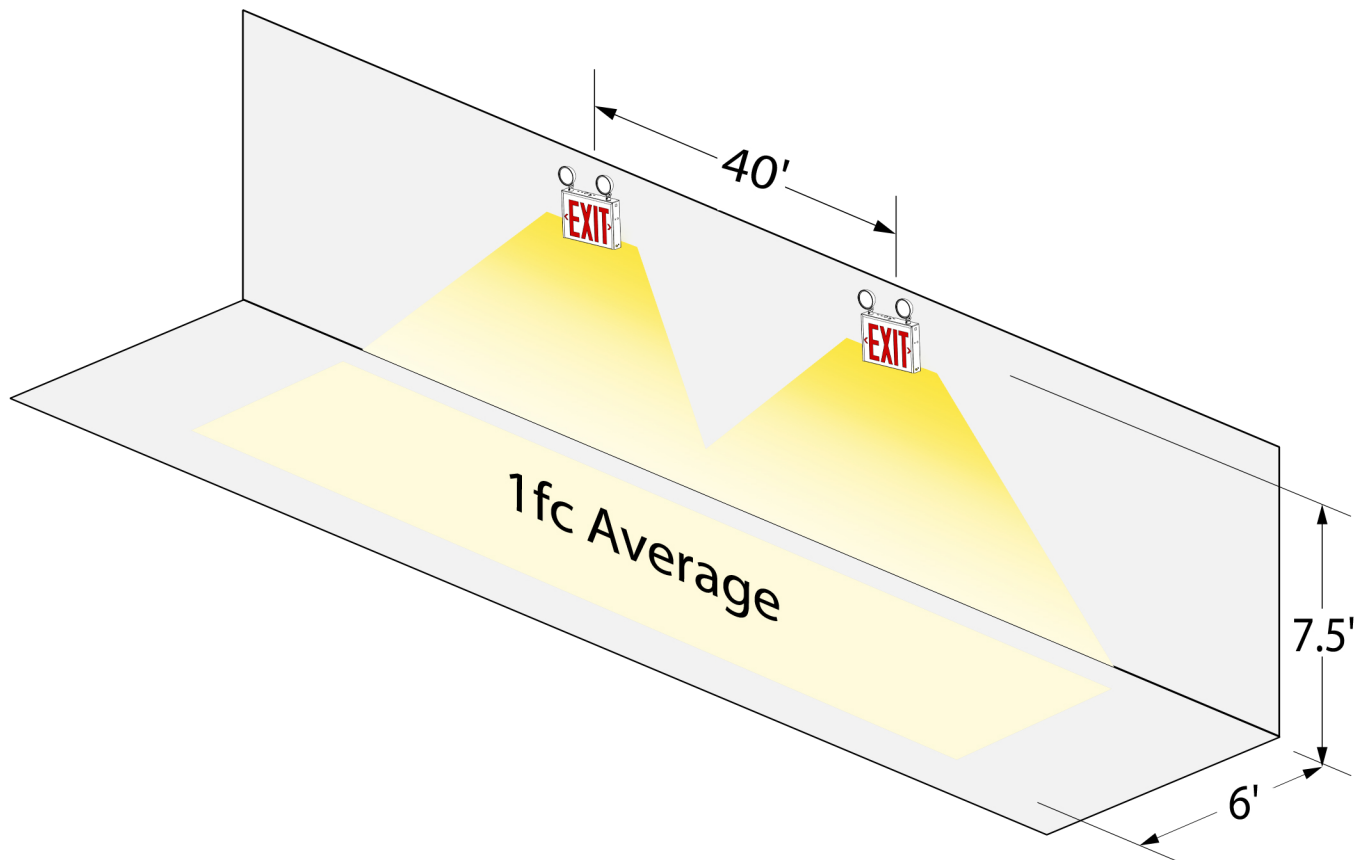


Model Number: PAC0850

Mounting Height: 7.5 feet

Corridor Width: 6 feet

Spacing to achieve 1fc average: 40 feet



Luminaire Location Summary

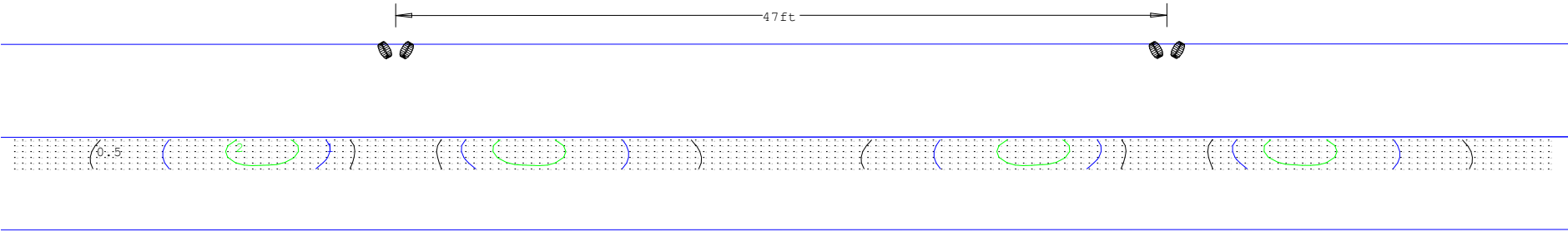
Coordinates In Feet

Luminaire Location Summary						
LumNo	Label	X	Y	Z	Orient	Tilt
1	L042210101	47	27.5	7.5	355	-35
2	L042210101	93	27.5	7.5	185	-35
3	L042210101	94	27.5	7.5	355	-35
4	L042210101	-1	27.5	7.5	185	-35
5	L042210101	0	27.5	7.5	355	-35
6	L042210101	140	27.5	7.5	185	-35
7	L042210101	141	27.5	7.5	355	-35
8	L042210101	46	27.5	7.5	185	-35

Calculation Summary

Calculation Summary							
Label	CalcType	Units	Avg	Max	Min	Avg/Min	Max/Min
CalcPts_1	Illuminance	Fc	1.02	2.5	0.2	5.10	12.50

Viewpoint



Luminaire Location Summary

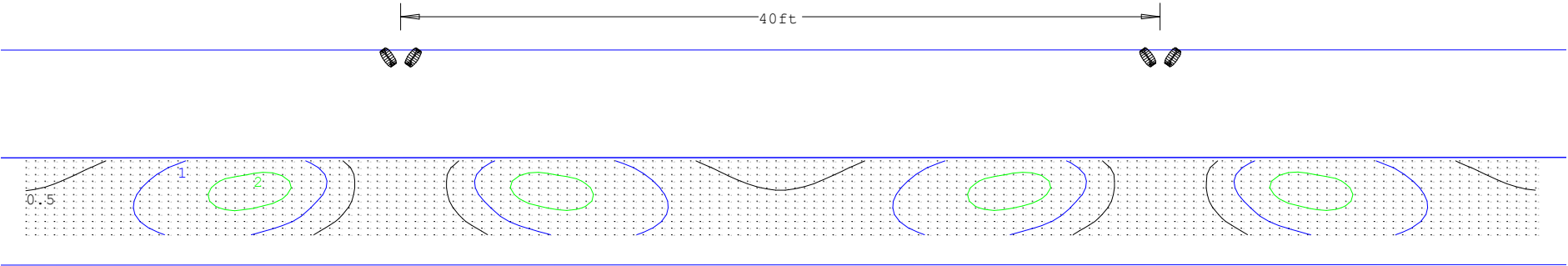
Coordinates In Feet

Luminaire Location Summary						
LumNo	Label	X	Y	Z	Orient	Tilt
1	L042210101	50.5	27.5	7.5	345	-35
2	L042210101	89.5	27.5	7.5	195	-35
3	L042210101	90.5	27.5	7.5	345	-35
4	L042210101	9.5	27.5	7.5	195	-35
5	L042210101	10.5	27.5	7.5	345	-35
6	L042210101	129.5	27.5	7.5	195	-35
7	L042210101	130.5	27.5	7.5	345	-35
8	L042210101	49.5	27.5	7.5	195	-35

Calculation Summary

Calculation Summary							
Label	CalcType	Units	Avg	Max	Min	Avg/Min	Max/Min
CalcPts_1	Illuminance	Fc	0.99	2.5	0.2	4.95	12.50

Viewpoint



Luminaire Location Summary

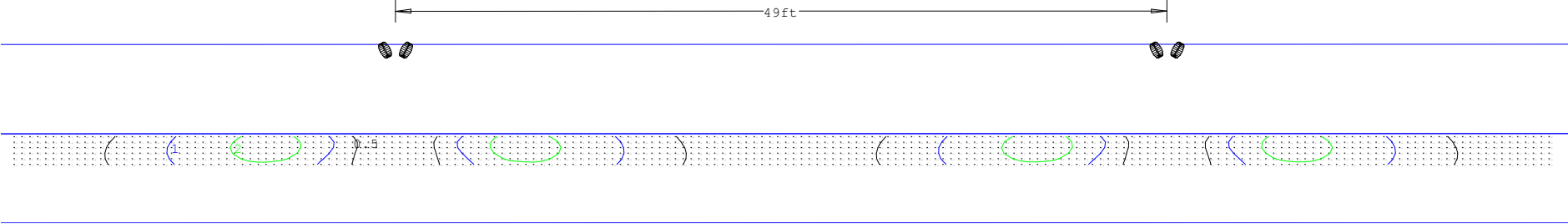
Coordinates In Feet

Luminaire Location Summary						
LumNo	Label	X	Y	Z	Orient	Tilt
1	L042210102	46	27.5	7.5	355	-35
2	L042210102	94	27.5	7.5	185	-35
3	L042210102	95	27.5	7.5	355	-35
4	L042210102	-4	27.5	7.5	185	-35
5	L042210102	-3	27.5	7.5	355	-35
6	L042210102	143	27.5	7.5	185	-35
7	L042210102	144	27.5	7.5	355	-35
8	L042210102	45	27.5	7.5	185	-35

Calculation Summary

Calculation Summary							
Label	CalcType	Units	Avg	Max	Min	Avg/Min	Max/Min
CalcPts_1	Illuminance	Fc	1.00	2.7	0.2	5.00	13.50

Viewpoint



Luminaire Location Summary

Coordinates In Feet

Luminaire Location Summary						
LumNo	Label	X	Y	Z	Orient	Tilt
1	L042210102	50.5	27.5	7.5	345	-35
2	L042210102	89.5	27.5	7.5	195	-35
3	L042210102	90.5	27.5	7.5	345	-35
4	L042210102	9.5	27.5	7.5	195	-35
5	L042210102	10.5	27.5	7.5	345	-35
6	L042210102	129.5	27.5	7.5	195	-35
7	L042210102	130.5	27.5	7.5	345	-35
8	L042210102	49.5	27.5	7.5	195	-35

Calculation Summary

Calculation Summary							
Label	CalcType	Units	Avg	Max	Min	Avg/Min	Max/Min
CalcPts_1	Illuminance	Fc	1.00	2.7	0.2	5.00	13.50

Viewpoint

