

## High-Lumen Emergency Lights

Pace's High-Lumen Output series model offers a large-capacity battery to deliver extra 12 single remote heads or 6 double remote head capacity or longer emergency operation required in common commercial and industrial applications. are ideal for operating remote lamps with long runs, minimizing voltage drop. The High-Lumen Series offers a total 800LM.

### Features

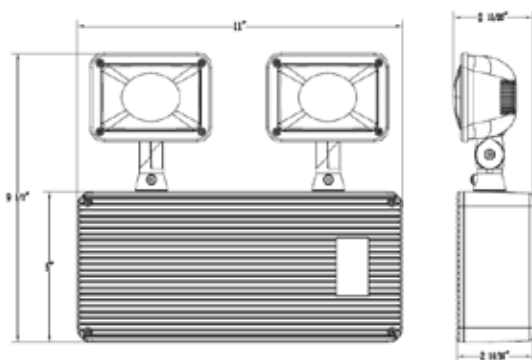
- Dual-voltage input (20V/277V)
  - Maintenance-free sealed lead-acid battery
  - Constructed with impact-resistant, UL 94 5VA thermoplastic construction
  - Slim profile
  - Temp rating: 10°-40° damp
  - UL 924 Listed
  - CUL Listed
- Master Carton Quantity 6pc



### Lumen Output

- Total Lumens:  
Standard : 156  
High Output: 380

### Dimensions



### Ordering Information

Series	Operation	Output	Lamp Wattage	Option	Example Cat #
PAC0885	6V	4.4/4.5W	12W (12*1W)	H = High output RC= Remote	PAC0885WH