



Exit and Emergency Lighting Products





The Best of Both Worlds

Exit and Emergency Lighting Product Catalog

Pace is the only partner you need for emergency lights, exit signs and emergency ballasts.

Pace Electronics provides an expansive range of durable and affordable lighting solutions, including UL-approved exit signs, emergency lighting, emergency ballasts, occupancy sensors and accessories—all of which come with standard and customized packaging options so you can be certain you're getting the very best product for your specific needs.

Based in Sodus, NY, Pace operates a state-of-the-art manufacturing facility in Heshan,

China, and has warehouse facilities throughout the United States. To ensure our products are not only competitively priced, but of high quality, we deal exclusively with ISO- and QS-certified suppliers out of Taiwan, China, Korea and Japan whose products are 100% UL- and TUV-approved.

When you choose Pace, you can rely on our quality, competitive pricing and exceptional customer service, which is why so many leading companies across the globe choose to partner with us time and time again.

paceelectronics.com |

Table of Contents

Exit Signs

PAC0855 Dual Color Exit / Micro Combo	6
PAC0890 Thin Line Aluminum Exit / Combo	7
PAC0889 Thin Line LED Exit /Combo	8
PAC0102 Thermoplastic Micro LED Exit Signs	9
PAC0433 Thermoplastic Micro LED Exit Sign	10
PAC0822 Thermoplastic Micro Combo Exit / Emergency Light	11
PAC0434 Thermoplastic Micro LED Exit / Emergency Combo	12
PAC0750 Mini Wet- Location LED Exit /Combo	13
PAC0838 6" Metal Surface/Recess-Mount Edge-Lit Exit Signs	14
PAC751 6" Thermoplastic Surface/Recess-Mount Edge-Lit Exit Signs	15

Emergency Lighting

PAC0825 Fixed-Head Emergency Light	17
PAC6060 J-Box Adjustable-Head Emergency Light	18
PAC6161 J-Box Fixed-Head Emergency Light	19
PAC0435 Thermoplastic Micro Adjustable Emergency Lights	20
PAC0837 Micro Adjustable LED Square-Head Emergency Lights	21
PAC0545 Thermoplastic Adjustable Emergency Lights	22
PAC0824 Wet-Location Adjustable Emergency Lights	23
PAC0885 High-Wattage Emergency Lights	24
PAC0954 Thin-Style Emergency Lights	25
Remote Lamp Heads	26
Remote Lamp Heads	27

Specialty Exit and Emergency Lighting

PAC0845 PAC0848 Aluminum ISA - Connecticut Exit Sign	29
PAC00953 Chicago Code Steel Emergency Lights	30
PAC0836 Chicago Code Steel LED Exit Signs	31
PAC0849 New York City Code Steel Emergency Exit	32
PAC0850 New York City Code Emergency Combo Exit	33
PAC0346 New York City Code Emergency Exit	34
PAC0456 New York City Code 8" Surface / Recess- Mount Edge-Lit LED Exit	35
PAC0827 Running Man LED Exit	36
PAC0828 Running Man Quick Connect LED Exit	37

LED Emergency Drivers and Emergency Ballasts

PAC0802 DC LED Array Emergency Driver	39
PAC0823 AC LED Emergency Driver	40

Table of Contents

Occupancy Sensors

PAC0547 Firefly Motion-Activated LED Light Modules	42
Nite Owl	43
PAC0839 Dual head sensor light	44

Accessories

Faceplates	46
PAC0341B Wire Guards	47

9 1/8"

4 7/8"

12 5/16"

12 43/64"

12 3/32"



Exit Signs

11 7/8"

8 1/5"

Dual Color Micro LED Exit & Combo Signs

Pace's PAC0855 series offers Dual Color LED Exit Signs and Combos in a slim profile thermoplastic package. Each unit is universal, offering one red and one green stencil face, with an extra red and green diffuser that easily clip into the stencil face. Changing the LED color between red and green is as simple as moving a jumper on the PCB. The dual color exit/combo provides uniform illumination in an economical package. Long lasting, energy efficient, LEDs assure years of reliable service. The combo version has an innovative LED lamp head.



Features

- Dual-voltage input 120V/277V
- Maintenance-free nickel-cadmium battery
- Energy-saving LED
- Optional Remote-Capable version offers up to an additional 3.0 Watts for 90 minutes
- Two factory-installed fully-adjustable, glare-free LED lighting heads
- Injection-molded, high-impact, UV-stabilized, UL94 V-0 thermoplastic construction in white finish
- Two replacement diffusers in red and green
- Snap-fit faceplates design for installation without tools
- Removable universal chevrons for directional indications
- Top, back or J-box mounting through universal mounting plate and canopy
- Universal single face and double face (extra faceplate included)
- Temp rating: 10°-44° damp
- DOE and CEC Registered
- UL 924 Listed for damp location
- CUL Listed
- Master Carton Quantity 6pc

Lumen Output

- Total Lumens: 114

Ordering Information

¹ Options is available on Combo Version ONLY

Series	Operation	Number of Faces	Finish	Options	Example Cat #
PAC0855	Blank = AC Only B = Battery Backup C = Combo	1 = Single Face 2 = Double Face	W = White B=Black	Blank = Regular RC = Remote Capable ¹	PAC0855B2W

Thin Line Aluminum Exit - Combo Signs

Pace's PAC0890 series offers an ultra slim-profile, thermoplastic housing with aluminum faceplates. The LED exit sign is designed for long life and energy efficiency. The combo model offers an innovative, fully adjustable, glare-free LED light bar that offers uniform illumination in an economical package.

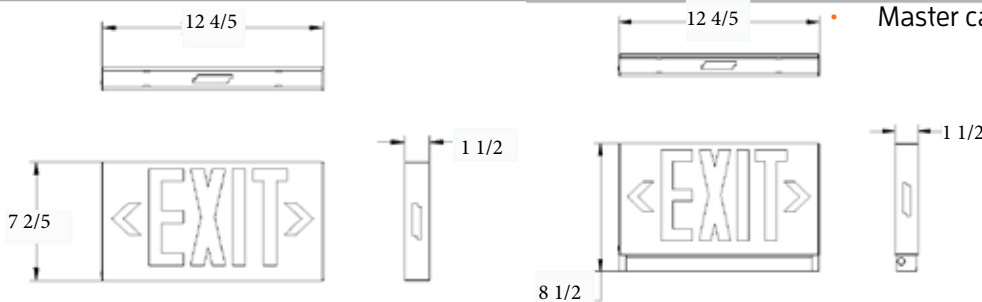


Features

- Universal operating voltage 100V-300V
- Maintenance free NiCd battery
- Injection molded housing made of high-impact, UV stabilized, UL-94V0 thermoplastic
- Top, side, or j-box mounting using the universal mounting plate and canopy
- Removable, universal chevrons for directional indication
- Snap-fit faceplate design for easy installation without tools
- Available with red or green diffuser
- Extra faceplate included for single or double-face installation
- Temperature rating: IOC – 40C for damp location
- UL 924 listed
- CUL Listed
- DOE and CEC registered
- Optional remote test capable with IR remote control
- Master carton quantity: 6 pcs.

Lumen Output

- Total Lumens: 437



Ordering Information

Series	Operation	Number of Faces	Letter Color	Finish	Remote control	Example Cat #
PAC0890	Blank = AC Only B = Battery Backup C = Combo	1 = Single Face 2 = Double Face	R = Red G = Green	W = White	IR= Remote Control Test Capability	PAC0890C2RW

Thin Line LED Exit - Combo Signs

Pace's PAC0889 series model offers an ultra slim-profile, thermoplastic LED exit sign that is designed for long life, energy efficiency, including a standard flat faceplate, an innovative fully adjustable-glare free LED lamp head and uniform illumination in an economical package.



Features

- Universal Voltage 100V-300V
- Maintenance-free nickel-cadmium battery
- Energy-saving LED - 0.5W each combo lamp head
- Injection-molded, high-impact, UV-stabilized, UL 94 V-0 thermoplastic construction in white or black finish
- Top, back, J-box or end mounting through universal mounting plate and canopy
- Removable universal chevrons for directional indication
- Snap-fit curved faceplate design for installation without tools available with Red or Green diffuser.
- Universal single face and double face (extra faceplate included)
- Temp rating: 10°-40° damp
- DOE and CEC Registered
- UL 924 Listed for damp location
- Master Carton Quantity 12pc
- CUL Listed

Lumen Output

- Total Lumens: 128

Ordering Information

Series	Operation	Number of Faces	Letter Color	Finish	Example Cat #
PAC0889	Blank = AC Only B = Battery Backup C = Combo	1 = Single Face 2 = Double Face	R = Red G = Green	W = White B = Black	PAC0889C2RW

Thermoplastic LED Exit Signs

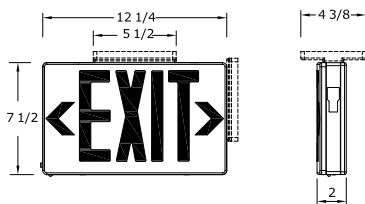
Pace's PAC0102 series model offers a slim-profile, thermoplastic LED exit sign that is designed for long life, energy efficiency and uniform illumination in an economical package.

Features

- Dual-voltage input I20V/277V
 - Maintenance-free nickel-cadmium battery
 - Energy-saving LED
 - Optional Self-Diagnostic version monitors battery/charger failure, battery disconnect and lamp failure
 - Injection-molded, high-impact, UV-stabilized, UL 94 V-0 thermoplastic construction in white or black finish
 - Top, back, J-box or end mounting through universal mounting plate and canopy
 - Removable universal chevrons for directional indication
 - Snap-fit curved faceplate design for installation without tools
 - Universal single face and double face (extra faceplate included)
 - Temp rating: 20°-30° damp
 - DOE and CEC Registered
 - UL 924 Listed for damp location
- Master Carton Quantity 6pc



Dimensions



Ordering Information

Series	Operation	Number of Faces	Letter Color	Finish	Options	Example Cat #
PAC0102	Blank = AC Only B = Battery Backup	1 = Single Face 2 = Double Face	R = Red G = Green	W = White B = Black	Blank = Regular SD = Self-Diagnostic DP = Dual Circuit	PAC0102B2RWSD

Thermoplastic Micro LED Exit Signs

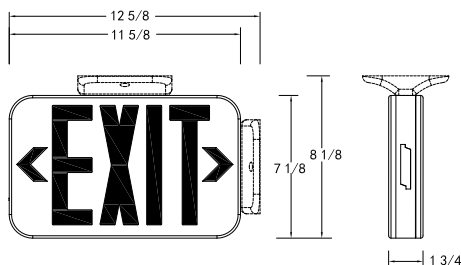
Pace's PAC0433 series model is a slim-profile thermoplastic LED exit sign that offers modern design, including a standard flat faceplate, long-lasting and energy-efficient LEDs, and uniform illumination in an economical package.



Features

- Dual-voltage input (20V/277V)
 - Maintenance-free nickel-cadmium battery and RC/RCS versions
Maintenance-free nickel-metal hydride battery
 - Energy-saving LED
 - Optional Self-Diagnostic version monitors battery/charger failure, battery disconnect and lamp failure
 - Optional Remote-Capable version offers up to an additional 3.4 Watts for 90 minutes
 - Injection-molded, high-impact, UV-stabilized, UL94 V-0 thermoplastic construction in white or black finish
 - Snap-fit faceplate design for installation without tools
 - Removable universal chevrons for directional indications
 - Top, back, J-box or end mounting through universal mounting plate and canopy
 - Universal single face and double face (extra faceplate included)
 - Temp rating: 20°-30° damp
 - DOE and CEC Registered
 - UL 924 Listed for damp location
 - CUL Listed
- Master Carton Quantity 6pc

Dimensions



Ordering Information

¹ Options may be combined

Series	Operation	Number of Faces	Letter Color	Finish	Options	Example Cat #
PAC0433	Blank = AC Only B = Battery Backup	1 = Single Face 2 = Double Face	R = Red G = Green	W = White B = Black	Blank = Standard Version SD = Self-Diagnostic Version ¹ RC = Remote Capable Version ¹	PAC0433B2RWSD

Thermoplastic Micro Combo Exit/Emergency Light

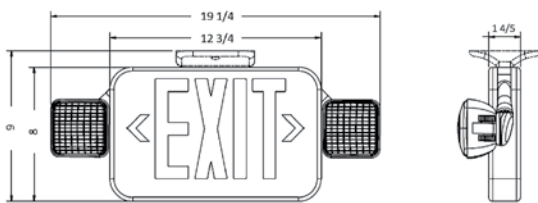
Pace's PAC0822 series model is a slim-profile thermoplastic LED exit sign/emergency light combo that offers modern design, including a standard flat faceplate, long-lasting and energy-efficient LEDs, an innovative fully adjustable-glare free LED lamp head and uniform illumination in an economical package.



Features

- Dual-voltage input I20V/277V
 - Maintenance-free nickel-cadmium battery
 - Energy-saving LED
 - Optional Self-Diagnostic version monitors battery/charger failure, battery disconnect and lamp failure
 - Optional Remote-Capable version offers up to an additional 3.44 Watts for 90 minutes
 - Two factory-installed fully-adjustable, glare-free LED lighting heads
 - Injection-molded, high-impact, UV-stabilized, UL94 V-0 thermoplastic construction in white or black finish
 - Snap-fit faceplates design for installation without tools
 - Removable universal chevrons for directional indications
 - Top, back or J-box mounting through universal mounting plate and canopy
 - Universal single face and double face (extra faceplate included)
 - Temp rating: 10°-40° damp
 - DOE and CEC Registered
 - UL 924 Listed for damp location
 - CUL Listed
- Master Carton Quantity 4pc

Dimensions



Lumen Output

- Total Lumens: 100

Ordering Information

¹ Options may be combined

Series	Operation	Number of Faces	Letter Color	Finish	Options	Example Cat #
PAC0822	B = Battery	1 = Single Face 2 = Double Face	R = Red G = Green	W = White B = Black	Blank = Standard Version SD = Self-Diagnostic Version ¹ RC = Remote Capable Version ¹	PAC0822B2RWSD

Thermoplastic Micro LED Exit Sign/Emergency Light Combo

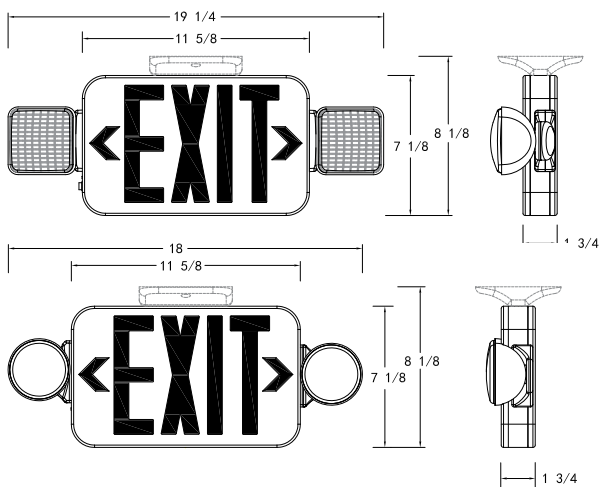
Pace's PAC0434 series model is a slim-profile thermoplastic LED exit sign/emergency light combo that offers modern design, including a standard flat faceplate, long-lasting and energy-efficient LEDs, an innovative LED lamp head and uniform illumination in an economical package.

Features

- Dual-voltage input 120V/277V
 - Maintenance-free nickel-cadmium battery and RC/RCS versions Maintenance-free nickel-metal hydride battery
 - Energy-saving LED
 - Optional Self-Diagnostic version monitors battery/charger failure, battery disconnect and lamp failure
 - Optional Remote-Capable version offers up to an additional 3.44 Watts for 90 minutes
 - Two factory-installed fully-adjustable, glare-free LED lighting heads in round or square style
 - Injection-molded, high-impact, UV-stabilized, UL94 V-0 thermoplastic construction in white or black finish
 - Snap-fit faceplate design for installation without tools
 - Removable universal chevrons for directional indications
 - Top, back or J-box mounting through universal mounting plate and canopy
 - Universal single face and double face (extra faceplate included)
 - Temp rating: 20°-30° damp
 - DOE and CEC Registered
 - UL 924 Listed for damp location
 - CUL Listed
- Master Carton Quantity 6pc



Dimensions



Lumen Output

- Total Lumens:
 - Standard: 60
 - High Output: 168
 - Square: 82

Ordering Information

¹ Options may be combined
² Standard 8 LED option for round head only

Series	Operation	Number of Faces	Letter Color	Finish	Lamp Head Output	Lamp Head Style	Options	Example Cat #
PAC0434	B = Battery Backup	1 = Single Face 2 = Double Face	R = Red G = Green	W = White B = Black	Blank = Standard 8 LED ² H = High-Output 12 LED	Blank = Round Q = Square	SD = Self Diagnostic ¹ RC = Remote Capable ¹	PAC-0434B2RWHQSD

Mini Wet-Location LED Exit Signs/Combo

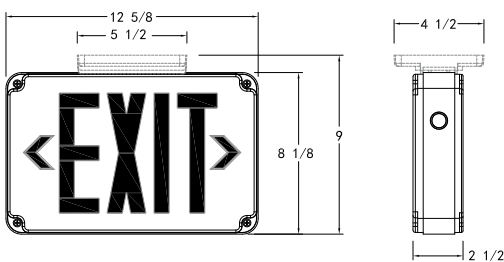
Pace's PAC0750 series model offers wet-location-approved exit signs/combo featuring an enclosure resistant to corrosive atmospheres, non-hazardous dust environment, hose-down water spray or splashing water. Now available with internal heater option for cold weather installations, lowering the operational temperature rating to -20 C- 50C Wet Locations.

Features

- Dual-voltage input 120V/277V
 - Maintenance-free nickel-cadmium battery and RC/RCSD versions
Maintenance-free nickel-metal hydride battery
 - Energy-saving LED
 - Optional Self-Diagnostic version monitors battery/charger failure, battery disconnect and lamp failure
 - Optional Remote-Capable version offers up to an additional 3 Watts for 90 minutes
 - Combo version includes two sealed and gasketed 3.6V, 1.17W weatherproof plastic lamp heads
 - Corrosion- and impact-resistant thermoplastic housing
 - Sealed and gasketed housing
 - Field-selectable chevron directional indicator punch-outs
 - Includes screws and hardware for mounting
 - Sealed test switch and status indicator
 - Temp rating: -20°-50° wet
 - DOE and CEC Registered
 - UL 924 Listed for wet location
- Master Carton Quantity 4-pc



Dimensions



Lumen Output

- Total Lumens: 170

Ordering Information

¹ Options may be combined

Series	Operation	Number of Faces	Letter Color	Finish	Options	Example Cat #
PAC0750	Blank = AC Only B = Battery Backup C = Combo	1 = Single Face 2 = Double Face	R = Red G = Green	W = White	Blank = Regular SD = Self Diagnostic ¹ RC = Remote Capable ¹ HTR= Heater	PAC0750B2RW

6" Metal Surface/Recess-Mount Edge-Lit Exit Signs

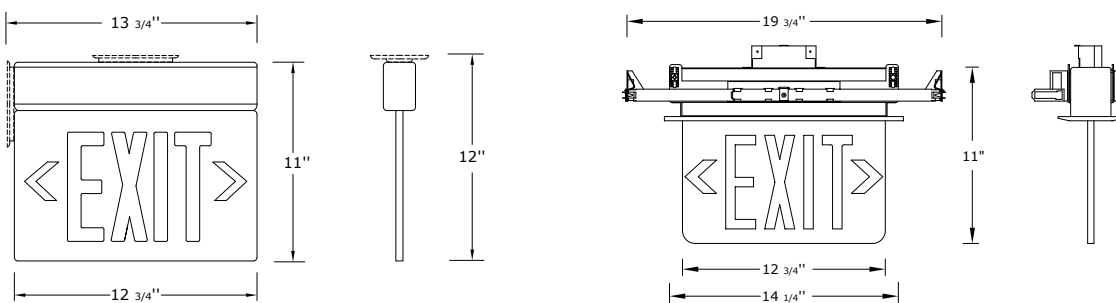
Pace's PAC0838 series model offers specification-grade aesthetics with in-field installation flexibility, which are ideal for architectural applications.

Features

- Dual-voltage input I20V/277V
- Energy-saving LED
- High-polish, injection-molded virgin acrylic panel, ultrasonically welded to eliminate visible hardware
- Maintenance-free nickel-cadmium battery
- Graduated depth of molded letters provides uniform light distribution on graphics
- Mirror divider on double-face versions
- Field-applied chevron directional indicator
- Temp rating: 20°-30° ambient
- DOE and CEC Registered
- UL 924 Listed
- CUL Listed
- Master Carton Quantity 4pc



Dimensions



Ordering Information

Series	Mounting Options	Operation	Number of Faces	Letter Color	Finish	Options	Example Cat #
PAC0838	S = Surface Mount R = Recess Mount	Blank = AC Only B = Battery Backup	1 = Single Face 2 = Double Face	R = Red G = Green	W = White B = Black A = Aluminum	Blank = Regular Version SD = Self Diagnostic	PAC0838SB2RASD

6" Thermoplastic Surface/Recess-Mount Edge-Lit Exit Signs

Pace's PAC0751 series offers a slim-profile, thermoplastic, LED edge-lit exit sign that is designed for long life and energy efficiency. Available in both surface-mount and recessed models.

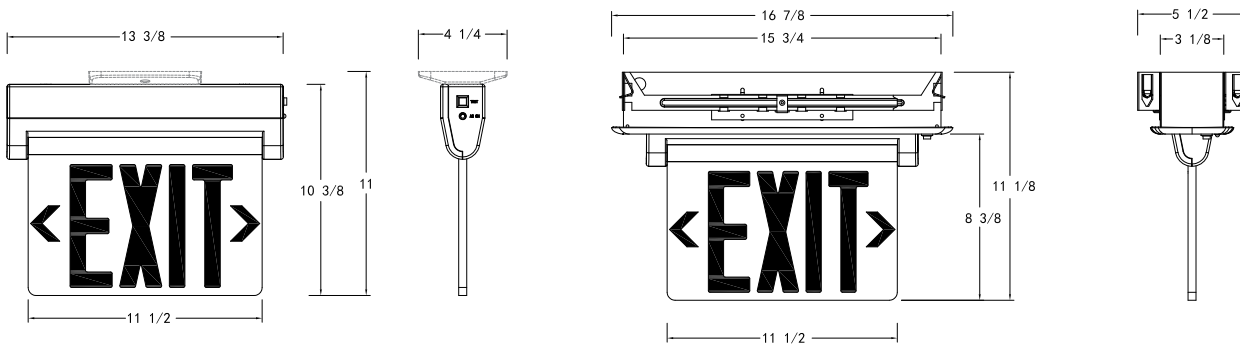


Features

- Dual-voltage input (20V/277V)
- Energy-saving LED
- Injection-molded, high-impact, UV-stabilized, UL94 V-0 thermoplastic construction
- Maintenance-free nickel-cadmium battery
- Galvanized steel adjustable bar hanger back box for recessed applications
- Pivoting design for installation on wall, ceiling, sloped ceiling or recessed mounting
- Graduated depth of molded letters provides uniform light distribution on graphics
- Mirror divider on double-face versions
- Field-applied chevron directional indicator
- Temp rating: 20°-30° ambient
- DOE and CEC Registered
- UL 924 Listed

Master Carton Quantity 4pc

Dimensions



Ordering Information

Series	Mounting Options	Operation	Number of Faces	Letter Color	Finish	Example Cat #
PAC0751	S = Surface Mount R = Recess Mount	Blank = AC Only B = Battery Backup	1 = Single Face 2 = Double Face	R = Red G = Green	W = White B = Black S = Silver	PAC0751SBIRW



9 1/8"




4 7/8"

Emergency Lighting



12 5/16"



12 3/32"

Fixed-Head Emergency Lights

Pace's fixed-head emergency lights offer an ultra-compact, low-profile emergency light with fixed optics that provide consistent, predictable aiming.



Features

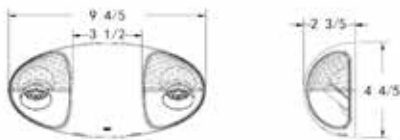
- Dual-voltage input I20V/277V
 - Injection-molded, high-impact, UV-stabilized, UL94 V-0 thermoplastic construction in white or black finish
 - Snap-together construction for speedy installation
 - Universal J-box pattern knock-out
 - Universal mounting plate with quick-connect feature
 - Temp ratings vary
 - UL 924 Listed for damp location
 - CUL Listed
- Master Carton Quantity I2pc

Lumen Output

- Total Lumens: 288

Dimensions

PAC0825



Ordering Information

¹ Options may be combined

Series	Battery	Lamp	Options	Finish	Example Cat #
PAC0825	Nickel-cadmium	I2 LED	H= High output ¹	W = White B = Black	PAC0825WH

J-Box Adjustable-Head Emergency Light

The J-box PIR emergency unit is a new product in the emergency lighting field. It is a perfect combination of traditional emergency lighting and passive infrared-sensing technology that can be used as a combination PIR lamp and emergency unit, or strictly as an emergency unit. It is a breakthrough in traditional emergency design, installing directly into a 4" J-box. Colored faceplates are available.

The passive infrared sensing (PIR) technology will activate when ambient light levels lower than 1.3FC are detected. The PIR will detect motion up to a distance of 15 feet, with a 125° field of view. Once motion is detected, the light will stay on for 15 minutes (running on AC power) and then automatically turn off. The unit will automatically switch to emergency mode when AC power is lost.

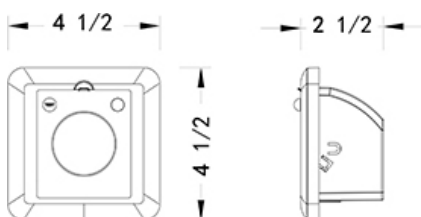


Features

- 4.8V 1800 mAH nickel-metal hydride battery
- Emergency operation time: 90 minutes
- Dual-voltage input 120V/277V
- Output wattages: 2.5W, 3 LED
- Luminance: For 7.17 feet (2.1 meter) installation height, within 2.5 feet, luminance is 1.0~2.6 FC
- Temp rating: 10°-40° ambient
- UL 924 Listed
- CUL Listed

Master Carton Quantity 12pc

Dimensions



Installation

Designed for installation in 4" J-box. Simply open the bottom cover, connect the lead of the product to the J-box power leads, then insert the unit into the J-Box and screw in the two corners. Press the test switch to make sure the unit is installed correctly, then put the faceplate on.

Ordering Information

Special color finishes by request.

Series	Finish	Options	Example Cat #
PAC6060	W = White B = Black	E = Emergency P = PIR Sensor	PAC6060WEP

J-Box Fixed-Head Emergency Light

The J-box PIR emergency unit is a new product in the emergency lighting field. It is a perfect combination of traditional emergency lighting and passive infrared-sensing technology that can be used as a combination PIR lamp and emergency unit, or strictly as an emergency unit. It is a breakthrough in traditional emergency design, installing directly into a 4" J-box. Colored faceplates are available.

The passive infrared sensing (PIR) technology will activate when ambient light levels lower than 1.3FC are detected. The PIR will detect motion up to a distance of 15 feet, with a 125° field of view. Once motion is detected, the light will stay on for 15 minutes (running on AC power) and then automatically turn off. The unit will automatically switch to emergency mode when AC power is lost.

Features

- 4.8V 1000 mAH nickel-cadmium battery
- Emergency operation time: 90 minutes
- Dual-voltage input 120V/277V
- Output wattages: 2W, 6 LED
- Luminance: For 1.5 feet (0.46 meter) installation height, within 1 foot, luminance is 1.0~2.0 FC
- Maximum mounting height is 6 feet
- Temp rating: 10°-40° ambient
- UL 924 Listed
- CUL Listed

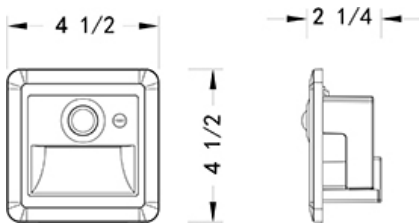
Master Carton Quantity 12pc

Installation

Designed for installation in 4" J-box. Simply open the bottom cover, connect the lead of the product to the J-box power leads, then insert the unit into the J-box and screw in the two corners. Press the test switch to make sure the unit is installed correctly, then put the faceplate on.



Dimensions



Ordering Information

Special color finishes by request.

Series	Finish	Options	Example Cat #
PAC6161	W = White B = Black	E = Emergency P = PIR Sensor	PAC6161BEP

Thermoplastic Micro Adjustable Emergency Lights

Pace's PAC0435 series model offers an LED fully adjustable lamp head, along with a contemporary design, quick installation and premium options, in a stylish and economical package.

Features

- Dual-voltage input I20V/277V
 - Maintenance-free nickel-cadmium battery and RC/RCS versions Maintenance-free nickel-metal hydride battery
 - Injection-molded, high-impact, UV-stabilized, UL94 V-0 thermoplastic construction in white or black finish
 - Universal J-box pattern knock-out
 - Universal mounting plate with quick-connect feature
 - Fully adjustable glare-free lamp heads
 - Two factory-installed LED lamp heads
 - Energy-saving LED
 - Optional Self-Diagnostic version monitors battery/charger failure, battery disconnect and lamp failure
 - Optional Remote-Capable version offers up to an additional 3.44 Watts for 90 minutes
 - Optional Wet-Location version—provided with a waterproof shield to be used in wet locations
 - Universal option rated for any voltage ranging between I20V and 277V
 - Temp ratings 20°-30°c damp. 0-40°c Damp/Wet PAC0435WH-U /UW
 - CEC Registered—See ordering information for exceptions
 - UL 924 Listed for damp location
 - CUL Listed
- Master Carton Quantity I2pc

PAC0435

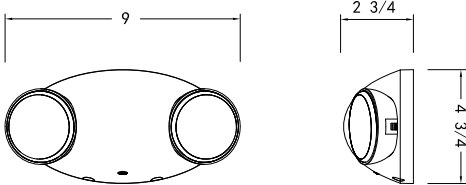


PAC0435 Wet-Location



Dimensions

PAC0435



PAC0435 Wet-Location



Lumen Output

- Total Lumens:
 - Standard: 88
 - High Output: 241
 - Universal : 214
 - Waterproof : 197

¹ Options may be combined

² Not available in RC or SD options

³ Not CEC Registered

Ordering Information

Series	Finish	Lamp Head Output	Options	Example Cat #
PAC0435	W = White B = Black	Blank = Standard 8 LED ² H = High Output I2 LED ¹	SD = Self Diagnostic ^{1, 3} RC = Remote Capable ¹ U = Universal ^{2, 3} W = Waterproof	PAC0435WHSD

Micro Adjustable LED Square-Head Emergency Lights

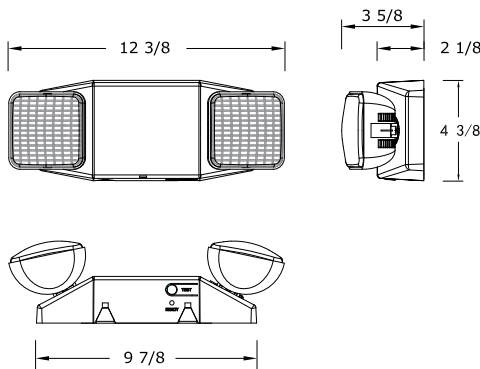
Pace's PAC0837 series model offers a fully adjustable LED lamp head, along with a contemporary design,



Features

- Dual-voltage input 120V/277V
 - Maintenance-free nickel-cadmium battery
 - Energy-saving LED
 - Optional Self-Diagnostic version monitors battery/charger failure, battery disconnect and lamp failure
 - Optional Remote-Capable version offers up to an additional 2.3 Watts for 90 minutes
 - Injection-molded, high-impact, UV-stabilized, UL94 V-0 thermoplastic construction in white or black finish
 - Universal J-box pattern knock-out
 - Universal mounting plate with quick-connect feature
 - Fully adjustable glare-free lamp heads
 - Two factory-installed LED lampheads
 - Temp rating: 10°-40° damp
 - CEC Registered—See ordering information for exceptions
 - UL 924 Listed for damp location
 - CUL Listed
- Master Carton Quantity 9pc

Dimensions



Lumen Output

- Total Lumens: 161

Ordering Information

¹ Options may be combined

² Not CEC Registered

Series	Finish	Options	Example Cat #
PAC0837	W = White B = Black	RC = Remote Capable ¹ SD = Self Diagnostic ^{1, 2}	PAC0837WRCS

Thermoplastic Adjustable Emergency Lights

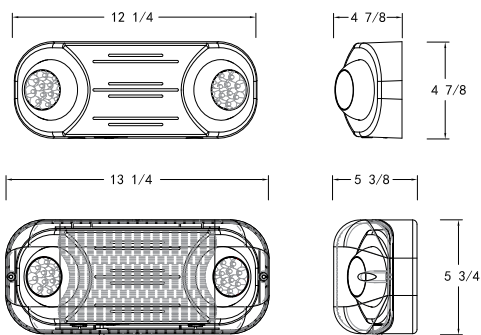
Pace's PAC0545 series model offers an LED fully adjustable lamp head, along with a contemporary design, quick installation and premium options, in a stylish and economical package. Now available with internal heater option for cold weather installations, lowering the operational temperature rating to -20 C- 50C Wet Locations.



Features

- Dual-voltage input 120V/277V
 - Maintenance-free nickel-cadmium battery
 - Injection-molded, high-impact, UV-stabilized, UL94 V-0 thermoplastic construction in white or black finish
 - Universal J-box pattern knock-out
 - Universal mounting plate with quick-connect feature
 - Fully adjustable glare-free lamp head
 - Two factory-installed LED lamp heads
 - Optional Wet-Location version – provided with a waterproof shield to be used in wet locations
 - Temp rating:-20°-50°
 - UL 924 Listed
- Master Carton Quantity 6pc

Dimensions



Lumen Output

- Total Lumens: 116

Ordering Information

Series	Finish	Lamp Head Style	Option	Example Cat #
PAC0545	W = White B = Black	L = LED	Blank = Standard W = Waterproof HTR= Heater	PAC0545WLW

Wet-Location Adjustable Emergency Lights

Pace's wet-location adjustable emergency lights offer fully adjustable lamp heads, along with waterproof construction ideal for wet-location applications and resistant to corrosive atmospheres, non-hazardous dust environment, frequent hose-downs, water spray and splashing water.



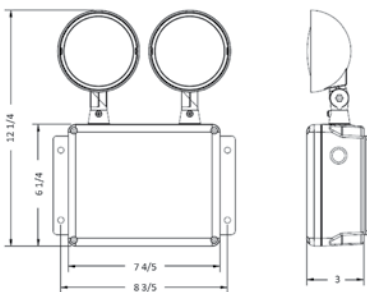
Features

- Dual-voltage input 120V/277V
 - Maintenance-free nickel-cadmium battery
 - Remote-capable standard up to 4.4W
 - Sealed and gasketed housing
 - Corrosion- and impact-resistant thermoplastic housing
 - Two factory-installed fully adjustable 15 LED lamp heads
 - Temp rating: 10°-40° wet
 - UL 924 Listed for wet location
 - CUL Listed
- Master Carton Quantity 6pc

Lumen Output

- Total Lumens: 240

Dimensions



Ordering Information

Series	Options	Example Cat #
PAC0824	Blank = Standard RC = Remote Capable	PAC0824

High-Lumen Emergency Lights

Pace's High-Lumen Output series model offers a large-capacity battery to deliver extra 12 single remote heads or 6 double remote head capacity or longer emergency operation required in common commercial and industrial applications. are ideal for operating remote lamps with long runs, minimizing voltage drop. The High-Lumen Series offers a total 700LM.

Features

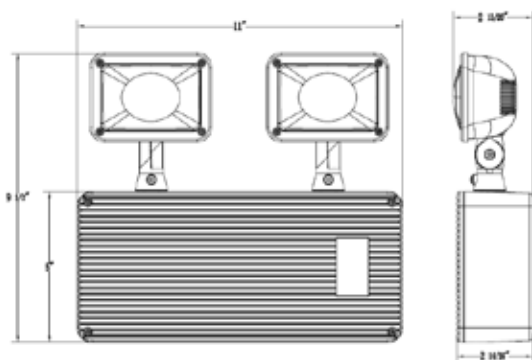
- Dual-voltage input (20V/277V)
 - Maintenance-free sealed lead-acid battery
 - Constructed with impact-resistant, UL 94 5VA thermoplastic construction
 - Slim profile
 - Temp rating: 10°-40° damp
 - UL 924 Listed
 - CUL Listed
- Master Carton Quantity 6pc



Lumen Output

- Total Lumens:
Standard : 243.2
High Output: 729.6

Dimensions

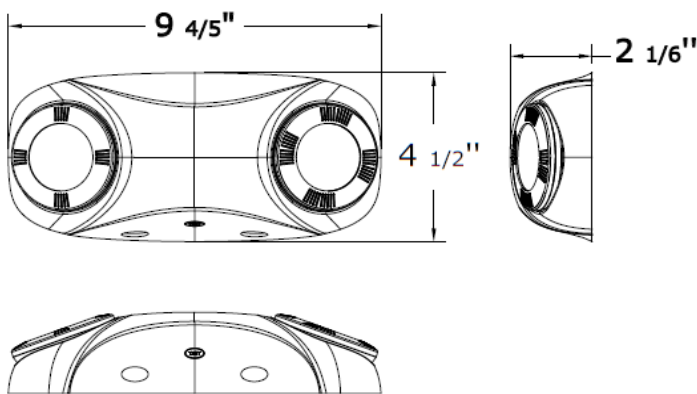


Ordering Information

Series	Operation	Output	Lamp Wattage	Option	Example Cat #
PAC0885	6V	4.4/4.5W	12W (12*1W)	H = High output RC= Remote	PAC0885WH

Adjustable Thin- Style Emergency Lights

Pace's PAC0954 series model offers a fully adjustable ultra bright lamp head, up to 1,100 lumens per unit, along with ultra-compact, low profile design, quick installation and premium options, in a stylish and economical package.



Features

- Universal voltage input 100-300V
 - Maintenance-free Lithium Ion, battery
 - Injection molded, high impact UV-Stabilized, UL 924 V-0 thermoplastic construction in white or black finish
 - Optional self-diagnostic version monitors battery/ charger failure, battery disconnect and lamp failure.
 - Optional remote capable version offers up to an additional 12.8 watts for 90 mins
 - Universal j-box pattern knock-out, universal mounting plate for quick connect features
 - Fully adjustable glare-free LED lamp head
 - Temp rating: 10°-40° damp
 - UL 924 Listed
 - CUL Listed
- Master Carton Quantity 16pc

Lumen Output

- Total Lumens: 1182

Ordering Information

Series	Finish	Lamp head	Option	Example Cat #
PAC0954	w= white B= black	LED	H = High output RC= Remote SD= Self Diagnostic	PAC0954WH

Remote Lamp



Pace offers both single and double remote lamps for indoor and outdoor applications. Each lamp head is used as part of an emergency lighting system. Weatherproof versions are sealed for use in damp and wet location areas requiring remote lighting. Each lamp head is fully adjustable and glare-free.

PAC0435SW/DW/SHW/DHW/QSW/QDW

Master Carton Quantity 20pc



PAC0435 Remote Lamp Heads (Plastic Housing with LED Assembly)				
Catalog Model #	# of Heads	Voltage	Total Wattage	Compatible Series
PAC0435SW	1	3.6 Volts	0.6 Watts	PAC0433 Series PAC0434 Series PAC0435 Series PAC0837 Series PAC0822 Series
PAC0435SHW	1	3.6 Volts	1.72 Watts	
PAC0435DW	2	3.6 Volts	1.22 Watts	
PAC0435DHW	2	3.6 Volts	3.40 Watts	
PAC0435QSW	1	3.6 Volts	1.72 Watts	
PAC0435QDW	2	3.6 Volts	3.40 Watts	

PAC0545SHW/DHW

Master Carton Quantity 20pc



PAC0545 Remote Lamp Heads (Weatherproof Plastic Housing with LED Assembly—Outdoor Use)				
Catalog Model #	# of Heads	Voltage	Total Wattage	Compatible Series
PAC0545SHW	1	3.6 Volts	1.17 Watts	PAC0433 Series PAC0434 Series PAC0435 Series PAC0750 Series
PAC0545DHW	2	3.6 Volts	2.34 Watts	

PAC0824SW/DW

Master Carton Quantity 20pc



PAC0824 Remote Lamp Heads (Weatherproof Plastic Housing with LED Assembly—Outdoor Use)				
Catalog Model #	# of Heads	Voltage	Total Wattage	Compatible Series
PAC0824SW	1	9.6 Volts	0.7 Watts	PAC0824 Series
PAC0824DW	2	9.6 Volts	1.4 Watts	

Remote Lamp



Pace offers both single and double remote lamps for indoor and outdoor applications. Each lamp head is used as part of an emergency lighting system. Weatherproof versions are sealed for use in damp and wet location areas requiring remote lighting. Each lamp head is fully adjustable and glare-free.

PAC0885S/D

Master Carton Quantity 20pc



PAC0885 Remote Lamp Heads				
Catalog Model #	# of Heads	Voltage	Total Wattage	Compatible Series
PAC0885SW	1	6 Volts	1.0 Watts	PAC0885 Series
PAC0885DW	2	6 Volts	2.0 Watts	
PAC0885SQ	1	6 Volts	0.81 Watts	
PAC0885DQ	2	6 Volts	1.62Watts	

PAC0885SQ/DQ



PAC0954S/D



PAC0954 Remote Lamp Heads				
Catalog Model #	# of Heads	Voltage	Total Wattage	Compatible Series
PAC0954SW	1	3.2 Volts	6.3 Watts	PAC0954 Series
PAC0954DW	2	3.2 Volts	12.8 Watts	
PAC0954SWSD	1	3.2 Volts	3.6 Watts	
PAC0954DWSD	2	3.2 Volts	6.9 Watts	



Specialty
Exit & Emergency Lighting

Aluminum ISA Exit

Pace's new aluminum ISA exit sign series is designed to comply with the State of Connecticut Building Code requirements, providing exit signs with the 6" International Symbol of Accessibility. A matching 6" exit only sign is also included in the series. The signs offer an extruded aluminum housing, classic styling, and uniform illumination.

PAC0845



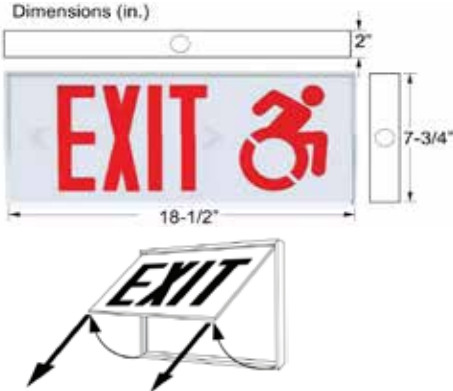
PAC0848



Features

- Extruded aluminum housing provides durability and classic styling
- Maintenance-free LED light source with low energy consumption 5 watts and long life
- White powder coat finish
- Universal mounting canopy included for ceiling mounting or end mounting.
- Single and double-face models available
- Universal mounting pattern is stamped into the back plate for easy surface mounting to a j-box
- Available with "dynamic" or "standard" wheelchair symbol.
- Field selectable chevron directional indicators
- Red or Green LED's with 6" letter & 6" International Symbol of Accessibility
- Long life Nickel Cadmium maintenance free battery provides 90 minutes of emergency operation
- Operating temperature range -10°C to 45°C
- Field Selectable 120 or 277 VAC input
- Integral AC Present Indicator LED and Push to Test Switch (EM models)
- UL 924 Listed damp location and State of Connecticut building code approved
- Master Carton Quantity 8 pc (PAC0845)
Master Carton Quantity 6 pc (PAC0848)

Dimensions



Ordering Information

Series	Operation	Number of Faces	Options	Example Cat #
PAC0845	Blank = AC Only B = Battery Backup	1 = Single Face 2 = Double Face	R = Red G = Green	PAC0845B2R
PAC0848	Blank = AC Only B = Battery Backup	1 = Single Face 2 = Double Face	R = Red G = Green D = Dynamic S = Standard	PAC0848B2RD

Chicago Code Steel Emergency Lights

Pace's PAC0953 series models are designed for Chicago applications where a steel housing is required. The unit is designed with LED lamp heads, for both initial and retrofit installations and offers high-power efficiency and uniform illumination, which are ideal for stores, offices, hospitals and school corridors.



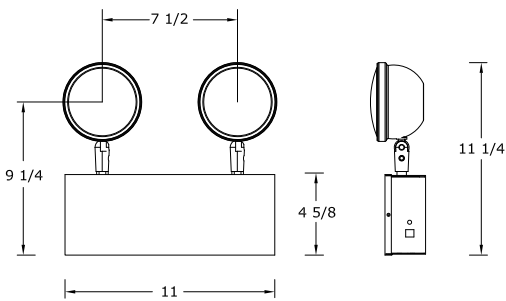
Features

- Dual-voltage input 100V-300V
 - Maintenance-free nickel-cadmium battery
 - 20-gauge die-formed cold-rolled steel housing
 - White corrosion-resistant polyester powder-coat paint with knock-outs for installation
 - Two fully adjustable metal heads with LED lamps
 - Temp rating: 20°-40° damp
 - UL 924 Listed for damp location and City of Chicago approved
- Master Carton Quantity 4pc

Lumen Output

- Total Lumens: 62

Dimensions



Ordering Information

Series	Example Cat #
PAC0953	PAC0953

Chicago Code Steel LED Exit Signs

Pace's PAC0836 series models are designed for Chicago applications where a steel housing is required. The unit is designed for both initial and retrofit installations and offers high-power efficiency and uniform illumination, which are ideal for stores, offices, hospitals and school corridors.



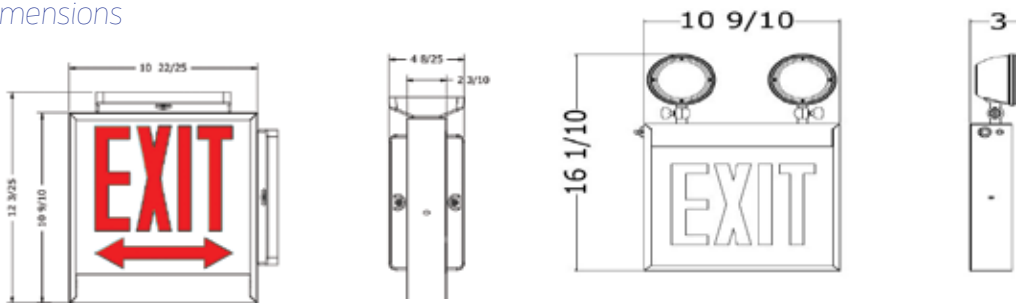
Features

- Universal voltage ranging between 100-300VAC
 - Maintenance-free nickel-cadmium battery
 - 20-gauge steel housing with white finish
 - Red silk-screened letter on white phosphorescent
 - Heat-tempered, impact-resistant glass lens
 - Steel canopy allows ceiling or end mounting
 - Universal pattern knock-out on rear for direct mounting to junction box
 - Two fully adjustable metal lamp head : 3.6VDC 1.84W(2)
 - Temp rating: 10°-40° damp
 - DOE Registered
 - UL 924 Listed for damp location and City of Chicago approved
- Master Carton Quantity 6pc

Lumen Output

- Total Lumens: 366

Dimensions



Ordering Information

Series	Options	Number of Faces	Operation	Example Cat #
PAC0836	Blank= Standard Exit C= Combo Exit	1 = Single Face 2 = Double Face	Blank = AC Only B = Battery Backup	PAC0836B

New York City Code Steel Emergency Lights

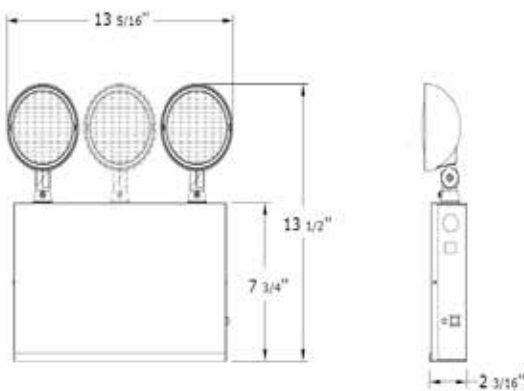
Pace's PAC0849 series model is designed for New York City application where a steel housing is required. The unit is designed for both initial and retrofit installations and offers high power efficiency and uniform illumination, which are ideal for stores, office, hospitals and school corridors.



Features

- Dual-voltage input (20V/277V)
- Maintenance-free nickel-cadmium battery
- 20-gauge die-formed cold-rolled steel housing
- White corrosion-resistant polyester powder-coat paint with knock-outs for installation
- Factory-installed thermoplastic-enclosed lamp heads
Third optional lamp head included
- Temp ratings: 10°-40° damp
DOE Registered
- UL 924 Listed for damp location
Master Carton Quantity 2pc

Dimensions



Lumen Output

- Total Lumens: 216

Ordering Information

SERIES	LAMPS	DESCRIPTION
PAC0849	2-9V 0.63W	Battery Backup Operation, 20-GA Steel Housing, White Finish

New York City Code Steel Combo Emergency Exit

Pace's PAC0850 series model is designed for New York City applications where a steel housing is required. The units are designed for both initial and retrofit installations and offer high-power efficiency and uniform illumination, which is ideal for stores, offices, hospitals and school corridors.



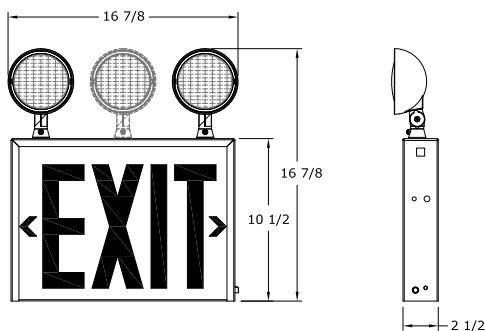
Features

- Dual-voltage input (20V/277V)
 - Maintenance-free nickel-cadmium battery
 - 20-gauge die-formed cold-rolled steel housing
 - White corrosion-resistant polyester powder-coat paint with knock-outs for installation
 - Factory-installed thermoplastic-enclosed lamp heads
 - Third optional lamp head included
 - Temp rating: 10°-40° damp
 - DOE Registered
 - UL 924 Listed for damp location
- Master Carton Quantity 2pc

Lumen Output

- Total Lumens: 218

Dimensions



Ordering Information

SERIES	Lamps	DESCRIPTION
PAC0850	2 - 9V 0.63W	Battery Backup Operation, 20-GA Steel Housing, White, Single Face, Red, LED Lamp

New York City Code Exit Signs

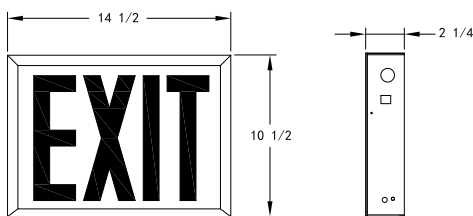
Pace's PAC0346 series model is designed for New York application where a steel housing is required.

Features

- 20-gauge steel housing
 - White powder-coat finish
 - LED expected life is more than 10 years
 - Dual-voltage input 120V or 277V AC operation
 - Maintenance-free nickel-cadmium battery
 - Temp rating: 20°-30° ambient
 - DOE Registered
 - UL 924 Listed
- Master Carton Quantity 4pc



Dimensions



Ordering Information

Series	Battery
PAC0346NYACD	Exit Sign, 20-GA Steel, White Housing, Universal, Red Lettering, AC Only
PAC0346NYBD	Exit Sign, 20-GA Steel, White Housing, Universal, Red Lettering, Battery B/UP

New York City Code 8" Surface/Recess-Mount Edge-Lit LED Exit Signs

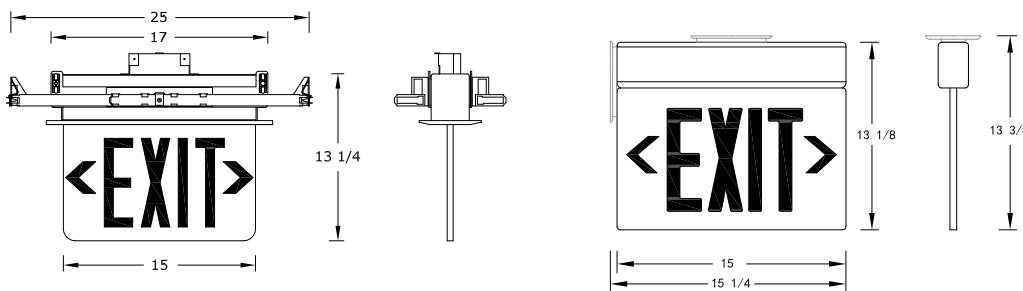
Pace's PAC0456 series is designed for New York applications. Ideal for architectural applications, the Edge-Lit LED Exit Signs offer specification-grade aesthetics with in-field installation flexibility.



Features

- Highly polished, injection-molded virgin acrylic panel is ultrasonically welded to eliminate visible hardware
 - Graduated depth of molded letters provides uniform light distribution on graphics
 - Standard housing finish is brushed aluminum
 - Mirror divider on double-face versions
 - Field-applied chevron directional indicators simplify specification and installation
 - LED expected life is more than 10 years
 - Dual-voltage input 120V or 277V AC operation
 - Maintenance-free nickel-cadmium battery
 - Temp rating: 20°-30° ambient
 - DOE Registered
 - UL 924 Listed for damp location
- Master Carton Quantity 4pc

Dimensions



Ordering Information

¹ Self-Diagnostic option available for Recessed version only

Series	Mounting Style	Operation	# of Faces	Letter Color	Housing Color	Options	Example Cat #
PAC0456	R = Ceiling Mount S = Surface Mount	Blank = AC Only B = Battery B/UP	1 = Single Face 2 = Double Face	R = Red	W = White B = Black A = Aluminum	Blank = Regular SD = Self Diagnostic ¹	PAC0456RB2RASD

Running Man LED Exit

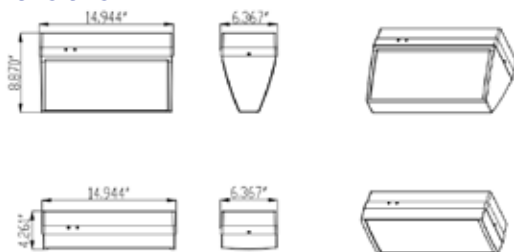
Pace's PAC0827 series model utilizes low power consuming LED technology to hold a steady illumination of the universally known green "running man" symbol throughout its use. Constructed of corrosion resistant, UV-stable, thermoplastic housing with a low profile test switch, the PAC0827 is a sleek, reliable unit. This model includes pictograph diffuser options for single/double sided installation and is CSA, AUS listed for damp locations.



Features

- LED technology 75,000 hours lamp life
- Low power consumption and LED light source for reduced operation and maintenance costs
- High temperature nickel-cadmium batteries
- Strong, lightweight, UV/FR PC body and gear tray
- Ceiling or Wall mount ordering option
- Large terminal block for easy wiring
- Includes diffuser and pictograph for single/double sided installation
- Voltage 3.6V
- Lamp Wattage 6.5W
- Listed for Damp Location
- CE Listed
- AUS Listed

Dimensions



Ordering Information

Series	Finish	Mounting Style	Example Catalog #
PAC0827	Blank= white	WM= wall mount CM= ceiling mount	PAC0827-CM

Running Man Quick Connect LED Exit

Pace's PAC0828 series model is a sleek, reliable emergency light constructed of corrosion resistant, UV-stable, thermoplastic housing with a low profile test switch. The PAC0828 utilizes low power consuming LED technology to hold a steady illumination of the universally known green "running man" symbol over the course of its 75,000 hour lamp life. With a universal wall/ceiling mount and a unique slide connect bracket, the PAC0828 is perfect for any setting. This model includes all pictograph diffuser options and is CSA, AUS listed for damp locations.

Features

- LED technology 75,000 hours lamp life
- High temperature nickel-cadmium batteries
- Architecturally pleasing design
- Unique slide connect bracket that provides strength and enables quick and easy maintenance
- Large terminal block for easy wiring
- Includes all pictograph diffuser options
- Universal wall/ceiling mounting, can also be rod or wire suspended
- Voltage 3.6V
- Lamp wattage 6.5W
- Listed for Damp Location
- CE Listed
- AUS Listed



Dimensions



Ordering Information

Series	Finish	Example Cat #
PAC0828	Blank = White	PAC0828

The background is a technical drawing of various LED emergency lighting components. It includes two circular emergency lights at the top, a large rectangular 'EXIT' sign with arrows pointing left and right, and several smaller rectangular emergency signs, some with arrows and some with the word 'EXIT'. Dimensions are indicated with arrows and text: '11 7/8"' for the width of the large sign and '8 1/5"' for the height of a smaller sign. The drawing is rendered in white lines on a dark blue background.

LED Emergency Drivers and Emergency Ballasts

11 7/8"

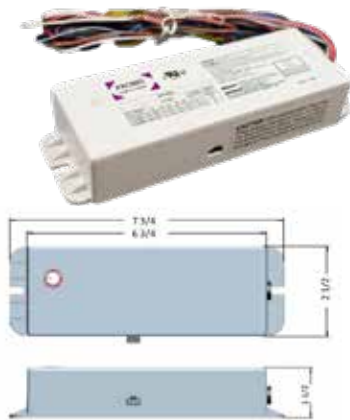
8 1/5"

DC LED Array Emergency Driver



Pace's DC LED Array Emergency Driver provides emergency operation of DC LED arrays during loss of AC power. In the event of AC power failure, the PAC0802 will operate 4W, 12W or 20W LED arrays for a minimum of 90 minutes.

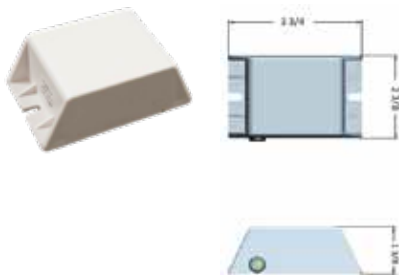
PAC0802 Unit



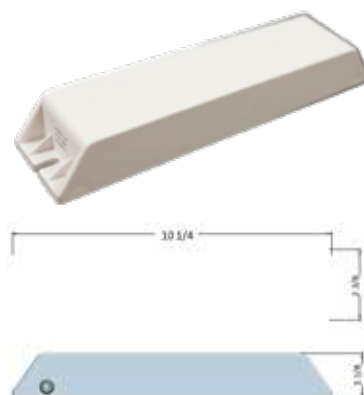
Features

- Separate 9.6V, high-temperature nickel-cadmium battery packs for 4W, 12W and 20W operation
 - Operates 12V to 40V LED arrays
 - Switch selectable array current settings from 100 to 700 milliamps, in 50 milliamp increments
 - Maintains constant LED array current during battery discharge for constant brightness
 - Battery pack over-discharge protection
 - Battery pack over-temperature and over-current protection
 - Full battery recharge in 48 hours after complete discharge
 - Charging LED indicator also provides fault codes with single and double blinks
 - Universal input voltage of 120VAC-277VAC
 - Temp rating: 10°-40° ambient
 - UL 924 Recognized component for damp location
- Master Carton Quantity 6pc (PAC0802 B 20 W and 12W)
Master Carton Quantity 12pc (PAC0802 Unit and PAC0802 B 4W)

PAC0802 B 4W



PAC0802 B 12W



PAC0802 B 20W

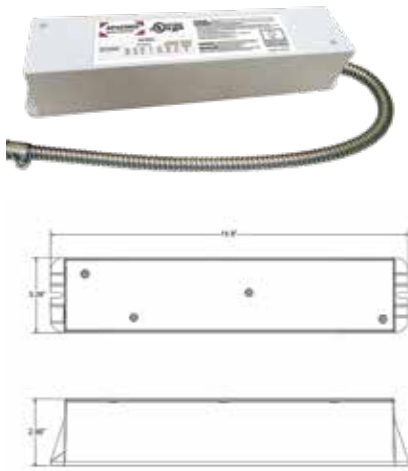


AC LED Emergency Driver



Pace's AC LED Emergency Driver provides emergency operation of AC-powered LED, fluorescent or incandescent fixtures during the loss of AC power. In the event of loss of AC power, the PAC0823 will operate lamps, or LED arrays up to 25 watts, for a minimum of 90 minutes.

PAC0823 Unit



Features

- Provides emergency operation of AC-powered LED Drivers for 90 minutes during loss of AC power
- Dual-input voltage of 120 or 277 VAC, 60Hz
- Automatic, emergency sinusoidal voltage output of 120 or 277 VAC based on operating input voltage
- 14V high-temperature Nickel-cadmium battery pack and micro-processor-based controller encased in a single polymer housing
- Battery over-discharge protection
- Battery over-temperature and over-current protection
- Full battery recharge in 32 hours after complete discharge
- Charging LED indicator also provides fault codes with single and double blinks
- Test switch allows simulated emergency operation after 1 hour of charge while AC power is present
- Flexible conduit houses all external wires for fixture connections
- Temp rating: 20°-40° damp
- UL 924 Listed for indoor or damp locations
- CUL Listed



Occupancy Sensors

Firefly Motion-Activated LED Light Modules

The Firefly provides energy-saving lighting only when you need it. Mount a Firefly inside a cabinet or closet, in a hallway or stairwell—anyplace that requires a small area of temporary illumination.



Features

- Self-Contained—module uses 3 AAA batteries (included), 6 white LEDs, infrared motion sensor and control circuit
- Easy Installation—via self-adhesive mounting plate or simple screws—no wiring
- Fully Automatic—turns on when motion is detected; off after 8 seconds without motion detection; stays off when ambient light is bright enough
- Miniature Size —fits almost anywhere!



Ordering Information

Series	Time Delay	Motion Detection Range	Average Battery Life	Power Supply	Dimensions
PAC0547	8 seconds	10 feet	3 years*	3 AAA Alkaline Batteries	2.5" x 2" x 1.75"

*Battery life depends on use

Nite Owl



The Pace Nite Owl® is a compact, lightweight, multifunctional utility light. This light is portable, and with an IPX6 rating, it is ideal for around the house, in your automobile, camping, fishing, and other outdoor activities. The light can also be used to charge small electronics from its built-in USB charging port.



Features

- Compact Thermoplastic Design
- Rechargeable Lithium-Ion Battery
- IPX6 Rating
- 5V, 2.1A USB Output (for charging small electronic devices)
- Magnetic Base (for attaching to metal surfaces)
- Built-In Hanging Loop
- USB Cable for Charging the Light
- Easy To Read LED Battery Life Gauge

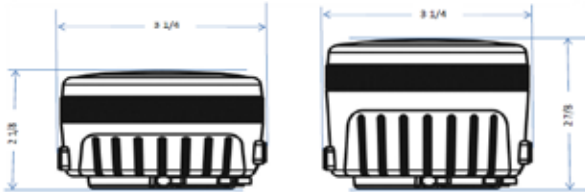
Operation Modes

DL001 and SL001:

- Built-In Spotlight (high, medium and low settings)
- High, Medium and Low Regular Light Settings
- Red "Help" Setting, and Red "Emergency Strobe" Setting
- 4400mAh, 3.7V Lithium-Ion, Rechargeable Battery (DL001 model)
- 2200mAh, 3.7V Lithium-Ion Rechargeable Battery (SL001 model)

D001 / S001:

- High, Medium and Low Light Settings
- Red "Help" Setting and Red "Emergency Strobe" Setting
- 4400mAh, 3.7V Lithium-Ion, Rechargeable Battery (D001 model)
- 2200mAh, 3.7V Lithium-Ion Rechargeable Battery (S001 model)



The Pace PAC0839 is a compact dual-head emergency light equipped with PIR motion sensor. The light has two 7W fully adjustable LED lamp heads, with test switch and an LED status indicator. The PIR sensor has low-light detection, a detection angle of 130°, a detection range of 30 feet, and automatically turns off after 16 minutes when no motion is detected. The installed 3.6V, 1800 mAh Ni-CD rechargeable battery provides 90 minutes of run time after loss of AC power. UL 924 listed for wet locations.



Features

- Compact Thermoplastic Design
- Maintenance-free nickel-cadmium battery
- Universal input voltage 100-300V
- Gasketed fixture for wet locations
- Suitable for outdoor use
- Temp rating 10°C-40°C (Damp & Wet Locations)
- UL 924 Listed
- CUL Listed

Lumen Output

- Total Lumens: 246

Accessories



MPACO409-SA - PACO409



MPACO409-SA-GR - PACO409



BPACI374A - PACO433
BPACI374A - PACO434
PACO202GW - PACO102



BPACI375A - PACO433
BPACI375A - PACO434
PACO204RW - PACO102

Optional Faceplates for PAC0836 Series



BPACI059A



BPACI364A



BPACI365A



BPACI134A



BPACI057A LEFT



BPACI058A RIGHT



BPACI056A DOUBLE

Wire Guards

Pace offers durable wire guards to protect emergency fixtures and exit signs from damages. The wire guards are applicable in schools, gymnasiums, parking garages or any area where a risk of intentional or accidental damage is present.



PAC034IB-D 32" x 14" x 7"

Features

- Heavy-duty steel construction
- Single pack is designed for Exit Signs
- Double pack is designed for Combo Units



PAC034IB 16" x 14" x 7"



PAC034IB 16" x 14" x 7"

Ordering Information

Series	Pack Configuration	Compatible Units
PAC034IB	Blank = Single Pack	PAC0102, PAC2020, PAC0433, PAC0435, PAC0837 PAC0825, PAC2323, PAC0545
	D = Double Pack	PAC0409, PAC0434, PAC0822



www.paceelectronics.com